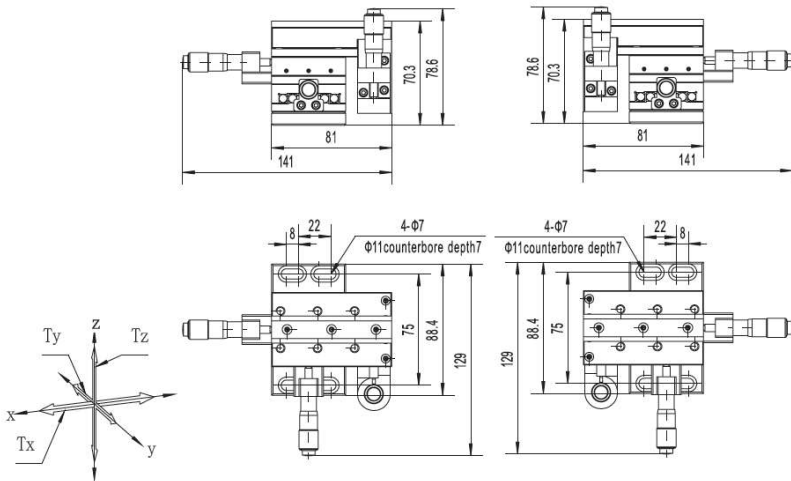


NFP-3561/3561L

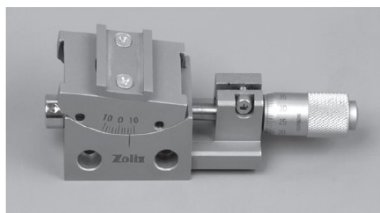


Features:

- Tx: 13mm
- Ty: 13mm
- Tz: 6mm
- Sensitivity: 1 μm
- Straightness of X,Y,Z: <3 μm

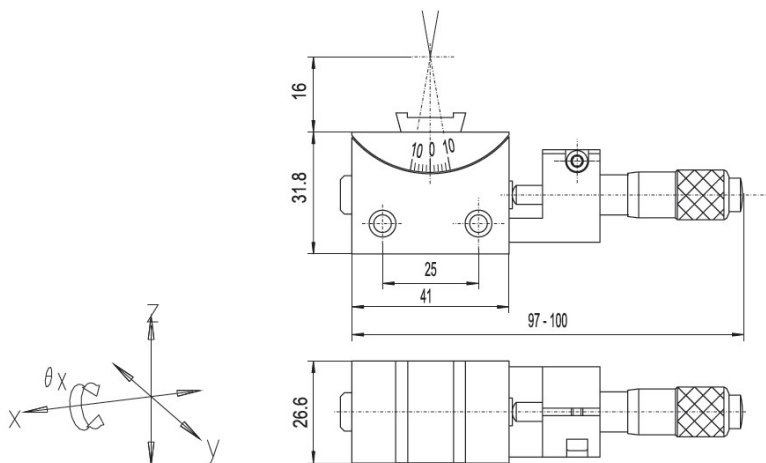


NFP-GON10

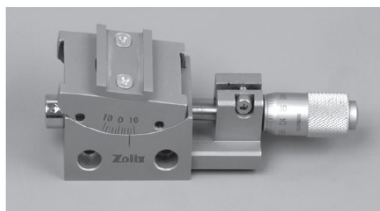


Features:

- θ x: ± 10°
- Sensitivity: 6"

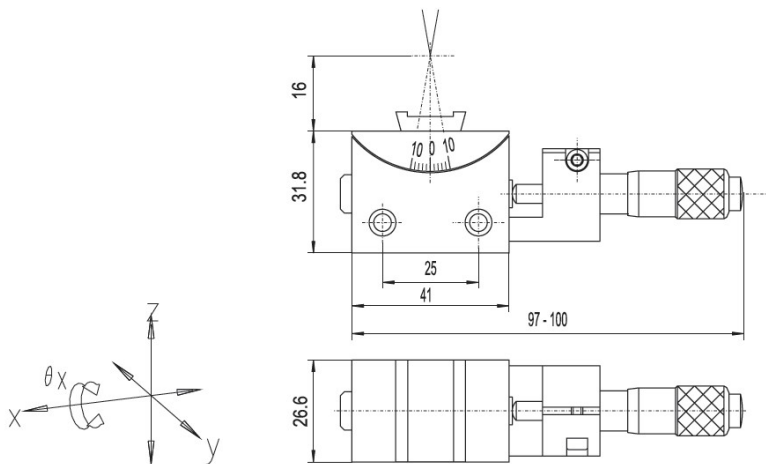


NFP-GON10

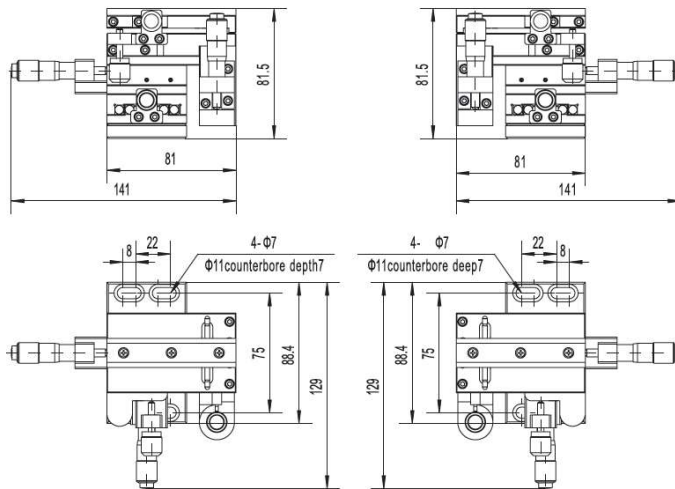


Features:

- θ x: ± 10°
- Sensitivity: 6"

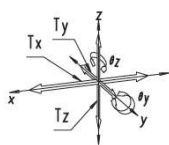


NFP-5561/5561L

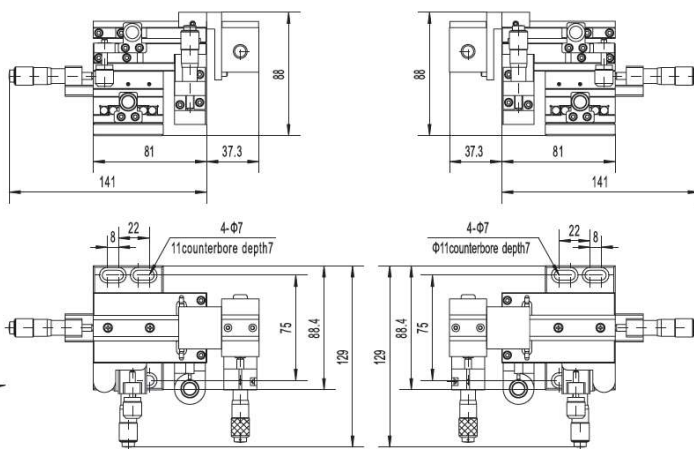


Features:

- Tx: 13mm Ty 13mm Tz: 6mm
- θy : $-2^\circ \sim 4^\circ$
- θz : $-4^\circ \sim 4^\circ$
- Sensitivity: $1 \mu m$
- Straightness of X,Y,Z axis $< 3 \mu m$



NFP-6561/6561L



Features:

- Tx: 13mm Ty 13mm Tz: 6mm
- θx : $-10^\circ \sim 10^\circ$
- θy : $-2^\circ \sim 4^\circ$
- θz : $-4^\circ \sim 4^\circ$
- Sensitivity: $1 \mu m$ ★ Straightness of X,Y,Z axis $< 3 \mu m$

