

Optical Mounts

Contents

80 High Stability and High Precision

- 80 LM: Precision Laser Processing Special Mount
- 80 LM20-2
- 80 LM20-2B
- 81 LM20-PH-XY
- 81 LM20-2-Q
- 81 LM20-4-LBE
- 81 LM20-4-LD
- 81 LMB
- 82 OMRS/OMHS 2D/3D Optical Mounts of High Stability
- 82 OMRS(-S)
- 82 OMRS-B(S)
- 83 OMRS-C(S)
- 83 OMHS(-S)
- 84 OMHS-B(S)
- 84 OMHS-C(S)
- 85 OMHS-LBE22/WJ/CMount

86 Standard Precision

- 86 OMMB Optical Mount
- 86 OMMB15/20/25/25.4/30/50-1AT
- 86 OMMB15/25/25.4/30/50/50.8-1T
- 86 OMMB8/10/12.5-1BL
- 87 OMMB20/25/25.4/30/40/50/76-1BT
- 87 OMMB50/80/100/102/106-2BT
- 88 OMMB20/30-1SAT
- 88 OMMBxx-2SVB
- 89 OMUM52-1/OMUM40-1 Universal Mount
- 89 OMPO12.7/25.4/30-1 Polarization Optical Mount
- 89 OMPO12.7/25.4/30-B
- 90 OMPO25.4/30-LJ
- 90 OMBS180 Beam steers

91 Optical Mounts

- 91 OM Filter Mount
- 91 OMF(25)-1
- 91 OMF-2
- 91 OMPM-1
- 91 OMPM-2/3
- 92 OMMB-NDFC50
- 92 MFW6-25/MFW12-25 Manual Filter Wheel
- 92 OMLH-1: Lens Holder
- 93 OMLH-2/3/4 Lens Holder
- 93 OMLH-Z/OMLH-Z10 Optical Mounts of adjustable cylindrical lens holder
- 93 OMLH-Z
- 93 OMLH-Z10
- 93 OMLH120/OMLH120-160 Optical Mounts of adjustable square lens holder
- 93 OMLH120
- 93 OMLH120-160
- 94 OMLH-9
- 94 OMLM20/25.4/30/40/50/60-XY
- 94 OMLM series Optical Mounts of Lens
- 94 OMLS
- 95 OMPH-1/OMPH-2 Prism Holder
- 95 OMPH-3

96 AP spatial filter and coupler

- 96 APAS80-1T/APAS80-1A Adjustable Slits
- 96 APID12/22/42-1 Iris Diaphragms
- 96 APID12-1
- 96 APID22-1
- 96 APID42-1

- 97 APID12/22/42-GD
- 97 APPH Pinhole Diaphragm
- 97 APFC-1T Fiber Coupling
- 97 APPH-GD Pinhole Diaphragm Holder
- 97 APSF13-1AT Spatial Filtering
- 98 APFC-2T
- 98 APFC-3AT
- 98 APFC-4T
- 99 APFC-5T-SC/FC/ST/SMA905

100 Accessories

- 100 ACFS Fine Screw
- 101 ACSM Micrometer
- 101 ACCS Coupling Screw
- 101 ACCA/ACCF Clamps
- 101 Kits and Accessories
- 102 BP Base Plate
- 105 PP Post
- 106 PHSP Post
- 107 PHPB-1 Post Base
- 107 PHAF Clamping Fork
- 107 PHSP12C Position Clamp
- 107 PHCP-1 Cross Post
- 107 PHCP-2 Cross Post
- 107 PHTP Reset Holder
- 107 PHUC Universal Cross Post
- 107 PSHH Holder
- 107 PHRP Rotation Post
- 107 PHVP-1/PHVP-2 Vertical Post
- 107 PHVP-3 Vertical Post
- 107 PHSR38-1/2(A) Rod
- 107 PHCR-1 Clamp Rod
- 108 PHOB Brackets
- 108 PHLM-2 Laser Mount
- 108 PHLM-3 Laser Mount
- 108 PHCR-1A Clamp Rod
- 108 PHCR-2 Clamp Rod
- 108 PHCR-3 Clamp Rod
- 108 PHCRT-1 Clamp Rod
- 108 PHLM-1 Laser Mount
- 110 RAOB Rails
- 110 RACA Carriers
- 111 PE Series (Post,Holder,Base)

High Stability and High Precision

LM: Precision Laser Processing Special Mount

Features:

- Reasonable structure of point, line and panel ensure high stability
- Four extension spring design, has a smooth reset characteristic, adjust the light path is more convenient
- The same height make more convenient for test;
- CNC design of front and back base make appearance, black finished avoid other lights



LM20-2



LM20-2B



LM20-PH-XY



LM20-2-Q

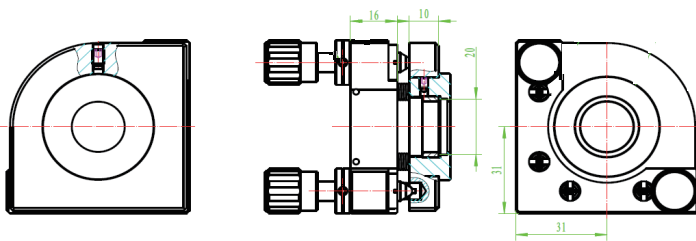


LM20-4-LBE



LM20-4-LD

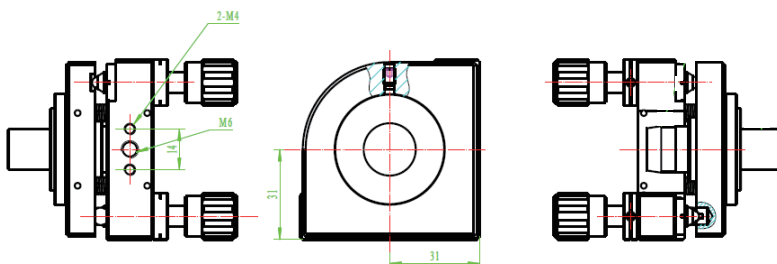
LM20-2



Features:

- Optic Diameter: 20mm
- Clear Aperture: 18mm
- Angular Range: $\pm 3^\circ$

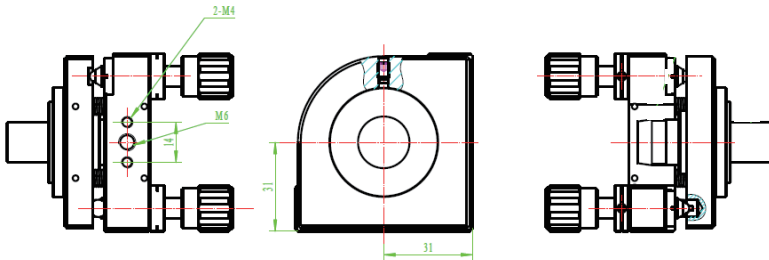
LM20-2B



Features:

- This mount can be installed with dust-proof Bolster, internal diameter of bolster is 12mm
- Optic Diameter: 20mm
- Clear Aperture: 12mm
- Angular Range: $\pm 3^\circ$

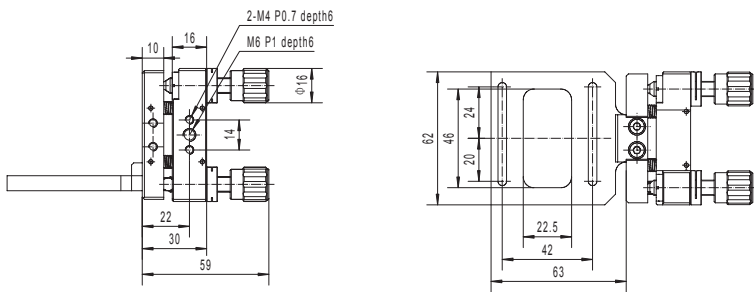
LM20-PH-XY



Features:

- Aperture Diaphragm Diameter: 20mm
- Aperture Diameter: Depend on the size of Aperture Diaphragm
- Range of Y and Z: $\pm 2\text{mm}$

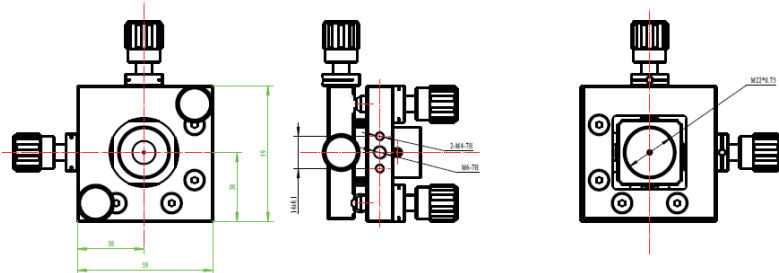
LM20-2-Q



Features:

- Install Q-switch
- Angular Range: $\pm 3^\circ$

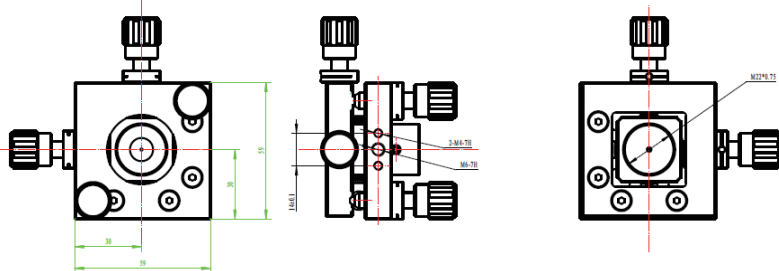
LM20-4-LBE



Features:

- Optic Diameter: M22 \times 0.75
- Range of Y and Z: $\pm 2\text{mm}$
- Angular Range: $\pm 3^\circ$

LM20-4-LD



Features:

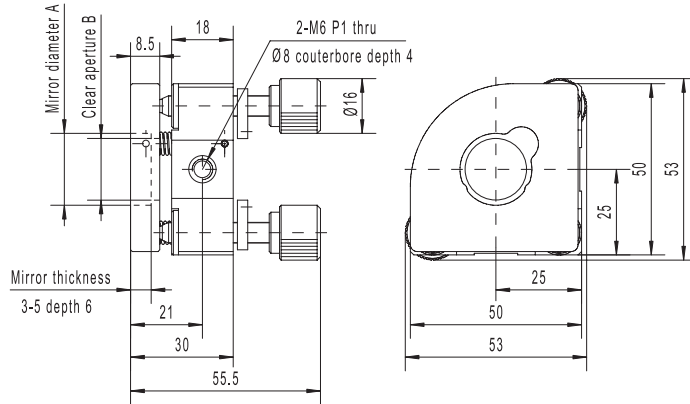
- Optic Diameter: $\phi 12\text{mm}$, Length $\geq 20\text{mm}$
- Range of Y and Z: $\pm 2\text{mm}$
- Angular Range: $\pm 3^\circ$

LMB

Model	Pics	Drawing	Specification
LMB20-2			
LMB20-PH-XY			
LMB20-2-Q			
LMB20-4-LBE			
LMB20-4-LD			

OMRS/OMHS 2D/3D Optical Mounts of High Stability

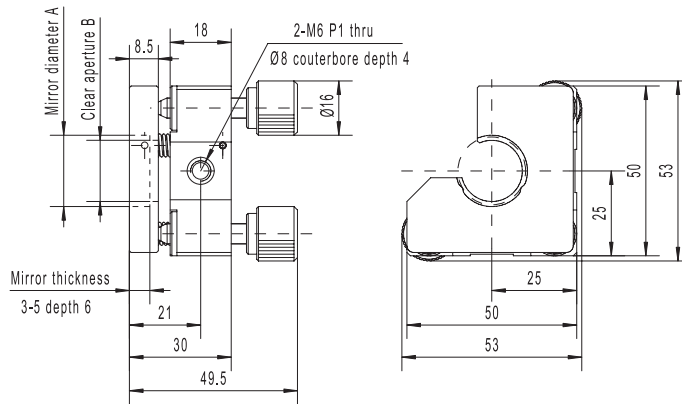
OMRS(-S)



◀ OMRS12.7/20/25/25.4/30-S

Model	OMRS12.7(-S)	OMRS20(-S)	OMRS25(-S)	OMRS30(-S)	OMRS38.1(-S)	OMRS50(-S)
Optic Diameter (mm)	12.7	20	25/25.4	30	38.1	50/50.8
Clear Aperture (mm)	11	18	22	27	35	47
Angular Range (°)	±3	±3	±3	±3	±3	±3
Lockable	-S					

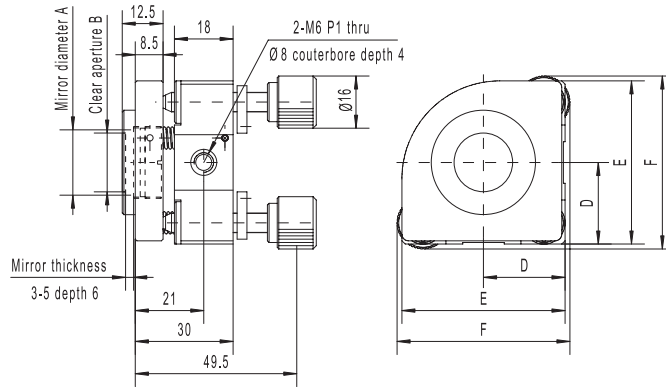
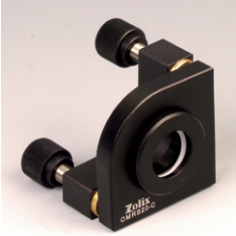
OMRS-B(S)



◀ OMRS12.7/20/25/25.4/30-BS

Model	OMRS12.7-B(S)	OMRS20-B(S)	OMRS25-B(S)	OMRS30-B(S)	OMRS38.1-B(S)	OMRS50-B(S)
Optic Diameter (mm)	12.7	20	25/25.4	30	38.1	50/50.8
Clear Aperture (mm)	11	18	22	27	35	47
Angular Range (°)	±3	±3	±3	±3	±3	±3
Lockable	-BS					

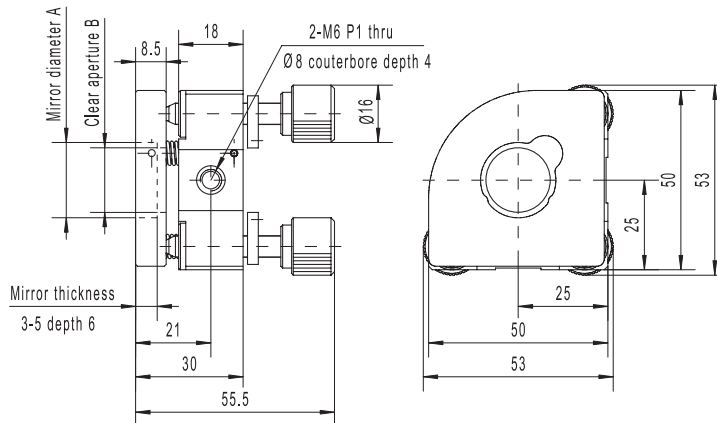
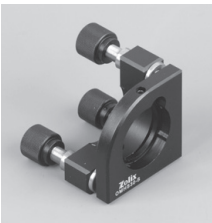
OMRS-C(S)



OMRS12.7/20/25/25.4/30-CS

Model	OMRS12.7-C	OMRS20-C	OMRS25-C	OMRS25.4-C	OMRS30-C	OMRS38.1-C	OMRS50-C	OMRS50.8-C
Optic Diameter A (mm)	12.7	20	25	25.4	30	38.1	50	50.8
Clear Aperture B (mm)	11	18	23	23	28	35	47	47
Angular Range (°)	±3	±3	±3	±3	±3	±3	±3	±3
Lockable	-CS							

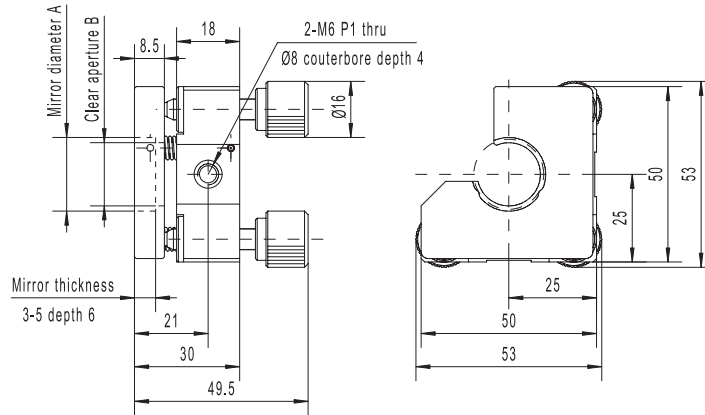
OMHS(-S)



OMHS12.7/20/25/30-S

Model	OMHS12.7 (-S)	OMHS20 (-S)	OMHS25 (-S)	OMHS30 (-S)	OMHS38.1 (-S)	OMHS50 (-S)
Optic Diameter (mm)	12.7	20	25/25.4	30	38.1	50/50.8
Clear Aperture (mm)	11	18	22	27	35	47
Angular Rang (°)	±3	±3	±3	±3	±3	±3
TX (mm)	6	6	6	6	6	6
Lockable	-S					

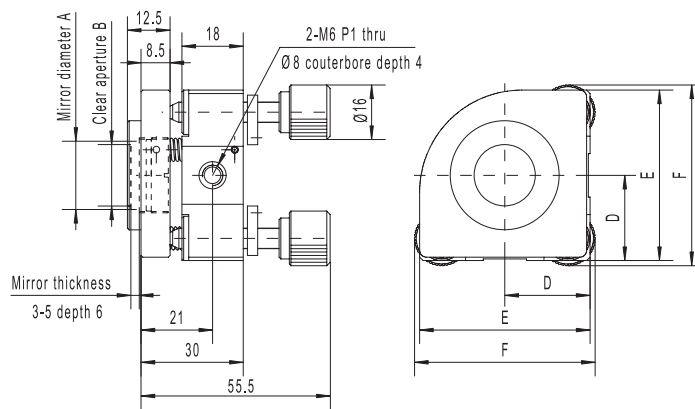
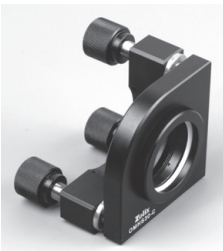
OMHS-B(S)



◀ OMHC12.7/20/25/30-B

Model	OMHS12.7-B(S)	OMHS20-B(S)	OMHS25-B(S)	OMHS30-B(S)	OMHS38.1-B(S)	OMHS50-B(S)
Optic Diameter (mm)	12.7	20	25/25.4	30	38.1	50/50.8
Clear Aperture (mm)	11	18	22	27	35	47
Angular Rang (°)	±3	±3	±3	±3	±3	±3
TX Travel (mm)	6	6	6	6	6	6
Lockable	-BS					

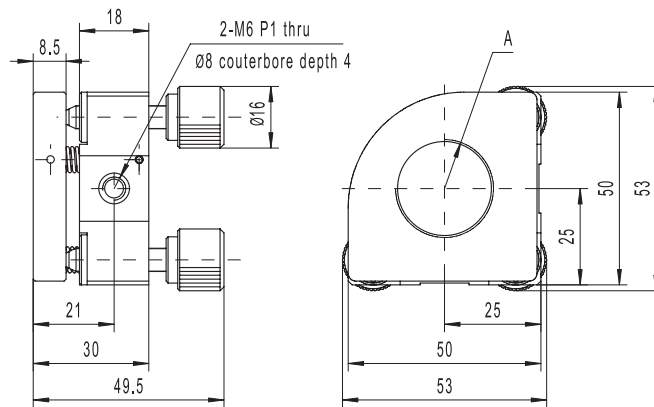
OMHS-C(S)



◀ OMHC12.7/20/25/25.4/30-CS

Model	OMHS12.7-C(S)	OMHS20-C(S)	OMHS25-C(S)	OMHS25.4-C(S)	OMHS30-C(S)	OMHS38.1-C(S)	OMHS50-C(S)	OMHS50.8-C(S)
Optic Diameter (mm)	12.7	20	25	25.4	30	38.1	50	50.8
Clear Aperture (mm)	11	18	23	23	28	35	47	47
Angular Rang (°)	±3	±3	±3	±3	±3	±3	±3	±3
TX Travel (mm)	6	-CS (Lock)	-CS (Lock)	-CS (Lock)	-CS (Lock)	-CS (Lock)	-CS (Lock)	-CS (Lock)
Lockable	-CS							

OMHS-LBE22/WJ/CMount



Model	Name	Size	Angular Rang	Tx(mm)
OMHS-LBE22	3D beam expander mount	M22X0.75	± 3	6
OMHS-WJ	3D objective lens mount	4/5"-1/36		
OMHS-CMount	3D C mount	1"-1/32		

Standard Precision

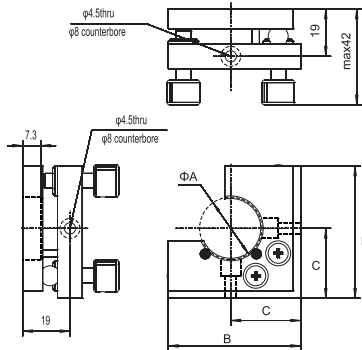
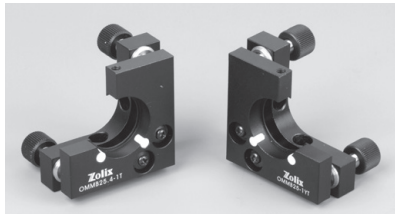
OMMB Optical Mount

OMMB15/20/25/25.4/30/50-1AT



	OMMB15 -1AT	OMMB20 -1AT	OMMB25 -1AT	OMMB25.4 -1AT	OMMB30 -1AT	OMMB50 -1AT
Optic Diameter (mm)	15	20	25	25.4	30	50
Clear Aperturo (mm)	13	18	23	23	28	47
Weight(Kg)	0.1	0.16	0.16	0.16	0.17	0.18

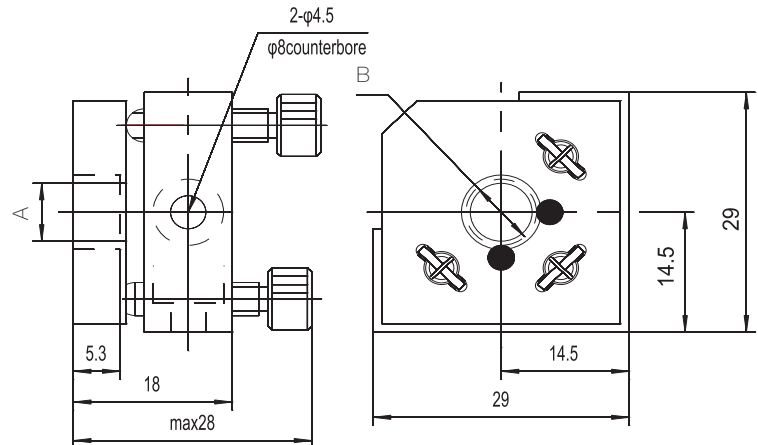
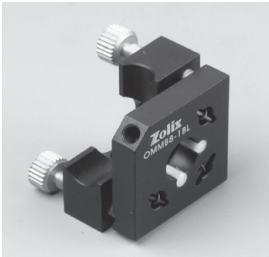
OMMB15/25/25.4/30/50/50.8-1T



	OMMB 15 -1T	OMMB 25 -1T	OMMB 25.4 -1T	OMMB 30 -1T	OMMB 40 -1T	OMMB 50 -1T	OMMB 50.8 -1T
Optic Diameter (mm)	15	25	25.4	30	40	50	50.8
Fatal Height	46	53	53	58	78	78	78
Center Height	24	28	36.5	30.5	40.5	40.5	40.5
Mounting Hole	M4	φ 4.5 counterbored hole φ 8					
Weight (Kg)	0.1	0.13	0.13	0.13	0.16	0.16	0.16

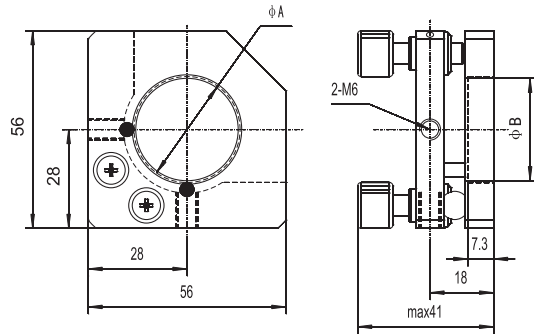
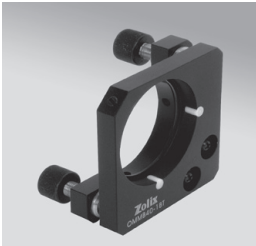
OMMB8/10/12.5-1BL

Clamp small diameter optics, 2D tilt adjustment , the screw is M4x0.3; Angular Range: ± 3°



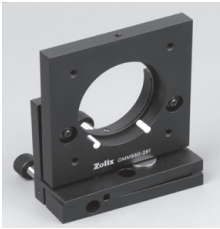
	OMMB8 -1BL	OMMB10 -1BL	OMMB12.5 -1BL
Optic Diameter (mm)	8	10	12.5
Clear Aperturo (mm)	7	9	11.5

OMMB20/25/25.4/30/40/50/76-1BT



	OMMB20 -1BT	OMMB25 -1BT	OMMB25.4-1BT	OMMB30 -1BT	OMMB40 -1BT	OMMB50 -1BT	OMMB76 -1BT
Optic Diameter (mm)	20	25	25.4	30	40	50	76
Clear Aperture (mm)	19	24	24.4	29	38	49	74
Center Height	25.5	28	36.5	28	36	37	53
Weight (Kg)	0.09	0.1	0.1	0.11	0.15	0.15	0.15
(Lock)	-S (Lock)						

OMMB50/80/100/102/106-2BT

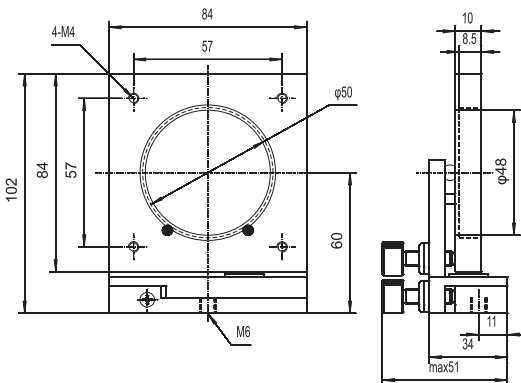


Model	OMHS12.7-B	OMHS20-B	OMHS25-B	OMHS30-B	OMHS38.1-B	OMHS50-B
Optic Diameter (mm)	12.7	20	25/25.4	30	38.1	50/50.8
Clear Aperture (mm)	11	18	22	27	35	47
Angular Rang (°)	±3	±3	±3	±3	±3	±3
TX Travel (mm)	6	6	6	6	6	6
(Lock)	-BS(Lock)					

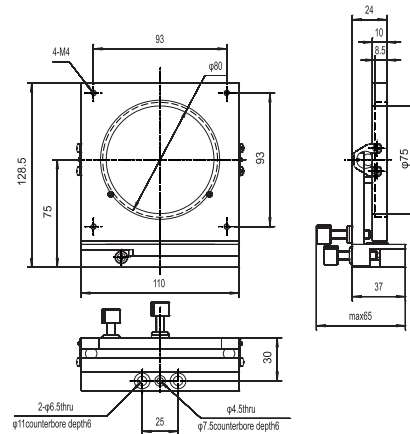
Specification:

- Angular Range: ±5°
- Weight: 0.25kg

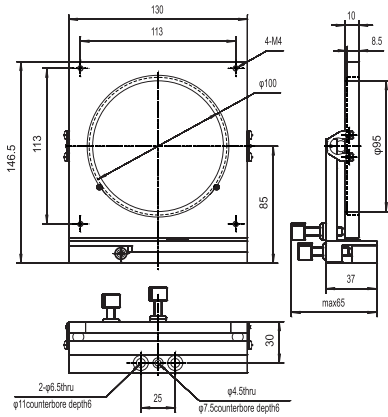
OMMB50-2BT ▼



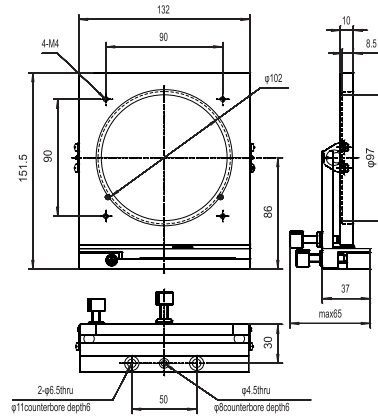
OMMB80-2BT ▼



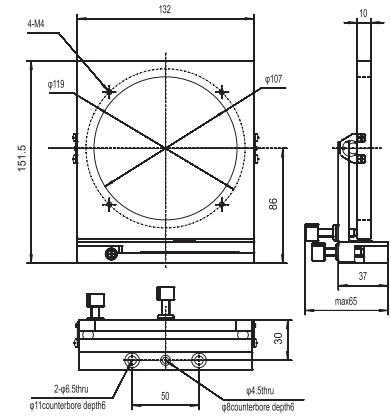
OMMB100-2BT ▼



OMMB102-2BT ▼



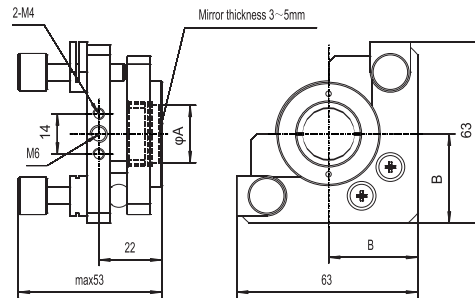
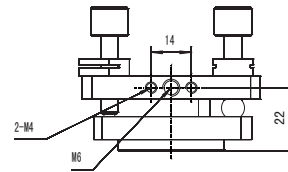
OMMB106-2BT ▼



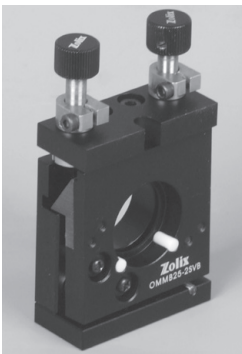
OMMB20/30-1SAT



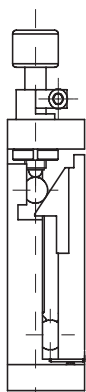
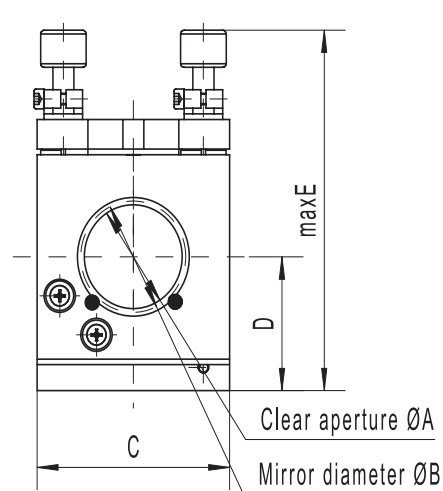
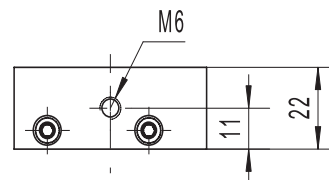
	OMMB20 -1SAT	OMMB30 -1SAT
Optic Diameter (mm)	20	30
Clear Aperturo (mm)	18	28
Center Height (mm)	31	28
Weight(Kg)	0.09	0.1



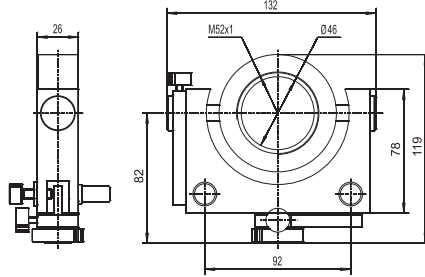
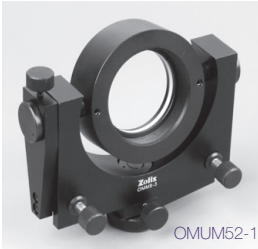
OMMBxx-2SVB



Model	OMMB 20-2SVB	OMMB 25-2SVB	OMMB 30-2SVB	OMMB 50-2SVB
Diameter B (mm)	20	25/25.4	30	50/50.8
Counterbore A(mm)	18	23	28	48
Total width C(mm)	50	50	55	76
Center height D(MM)	33.5	33.5	36	44
Total height E(mm)	95	95	100	124

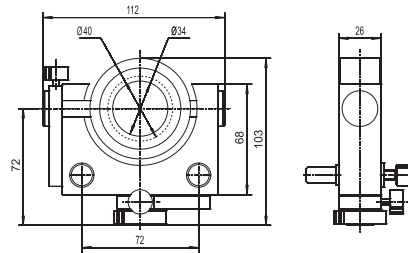
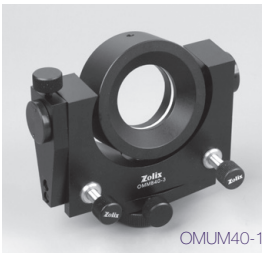


OMUM52-1/OMUM40-1 Universal Mount

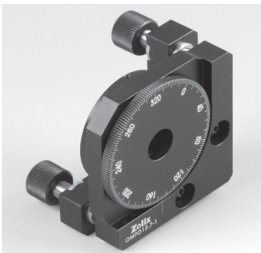


Features(OMUM52-1):

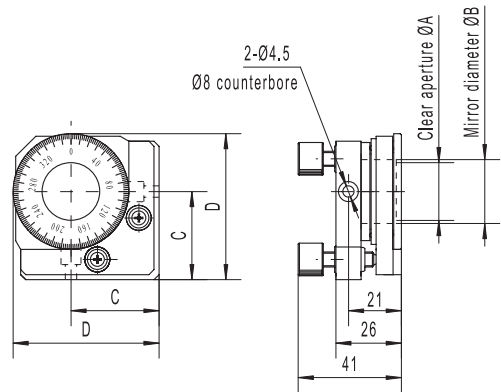
- Angular Rang-Coarse :360°
- Angular Rang -Fine : ± 3°
- Aperture :M52x1
- Weight :0.7kg



OMPO12.7/25.4/30-1 Polarization Optical Mount



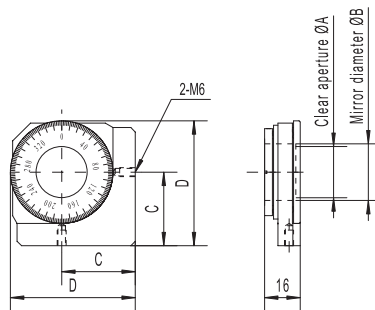
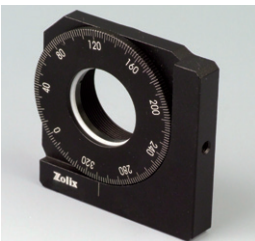
Model	OMPO 12.7-1	OMPO 25.4-1	OMPO 30-1
Optic DiameterB (mm)	12.7	25.4	30
Clear Aperture A (mm)	11	23	27
Height of Center (mm)C	35	35	39
HeightD (MM)	58	58	66



Features:

- Angular Rang: $\theta x:360^\circ$ $\theta y: \pm 3^\circ$ $\theta z: \pm 3^\circ$

OMPO12.7/25.4/30-B



Features:

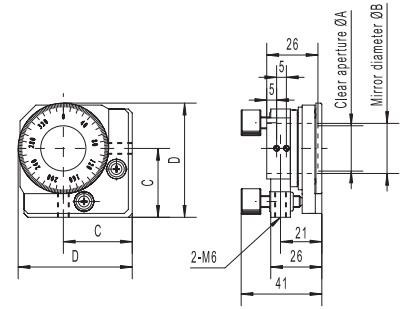
- Angular Range:
 $\theta x: \pm 360^\circ$
Graduation:2°

Model	OMPO12.7-B	OMPO25.4-B	OMPO30-B
Optic Diameter B (mm)	12.7	25.4	30
Clear Aperture A (mm)	11	23	27
Height of Center (mm)C	33	33	37
Height D (MM)	56	56	64

OMPO25.4/30-LJ



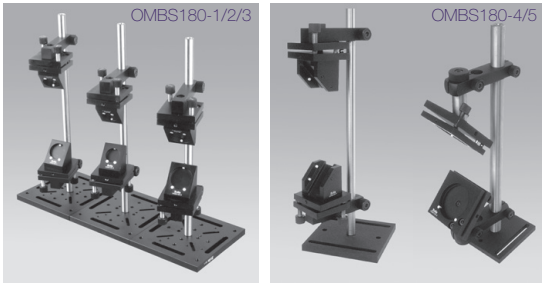
Model	OMPO25.4-LJ	OMPO30-LJ
Optic Diameter B (mm)	25.4	30
Clear Aperture A (mm)	23	27
Height of Center (mm) C	33	37
Height D (MM)	56	64



Features:

- Angular Range: $\theta_x: 360^\circ$ $\theta_y: \pm 3^\circ$
 $\theta_z: \pm 3^\circ$ Graduations: 2°

OMBS180 Beam steers

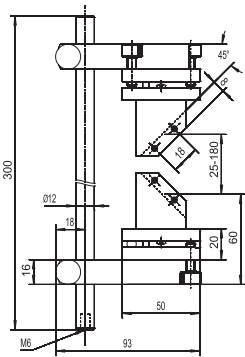


Model	A(MM)	B(MM)			
OMBS180-1	25	32			
OMBS180-2	20	32			
OMBS180-3	30	36			
Model	A(mm)	B(mm)	C(mm)	H(mm)	L(mm)
OMBS180-5	50-180	132	50	324	70
OMBS180-6	57-180	137	60	334	80

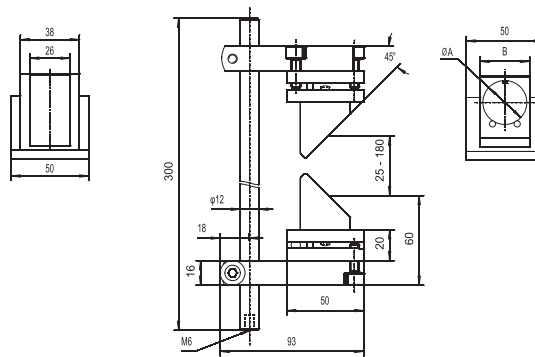
Features:

- Optical Mounts of Beam Steer let you set your laser beam height easily and control angles of the beam precisely ;
 $\theta_z: 360^\circ$, $\theta_y: \pm 4^\circ$ $\theta_x: \pm 4^\circ$;high accuracy and stability; the highest height is 180mm;

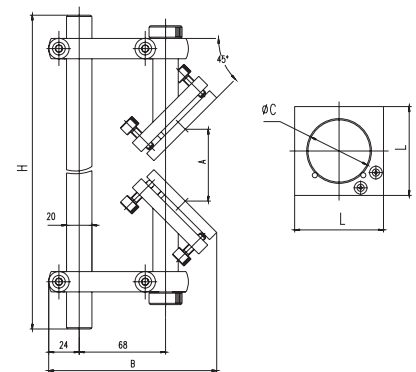
OMBS180-1/2/3 ▼



OMBS180-4 ▼



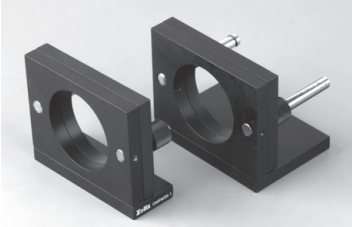
OMBS180-5/6 ▼



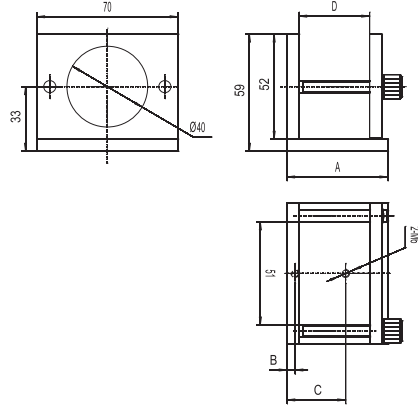
Optical Mounts

OM Filter Mount

OMFM(25)-1



Model	A	B	C	Optic Width	Optic thicknessD	Weight
OMFM -1	50	5	30	50mm	30mm	0.2kg
OMFM25 -1	25		11	50mm	8mm	0.17kg

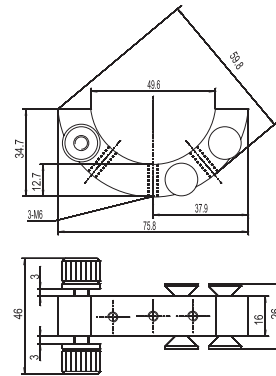


OMFM-2

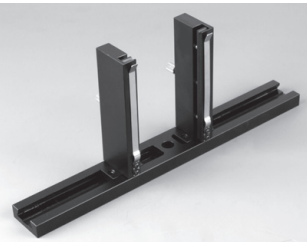


Features:

- Optic Thickness: 3mm Weight: 0.05Kg

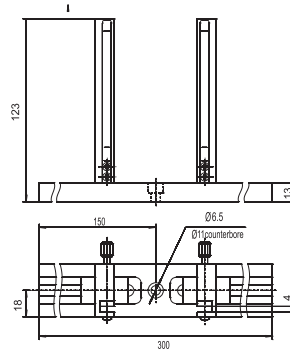


OMPM-1



Features:

- Optic Thickness: 4mm
- Optic Width: 35 ~ 300mm
- Weight: 0.55kg

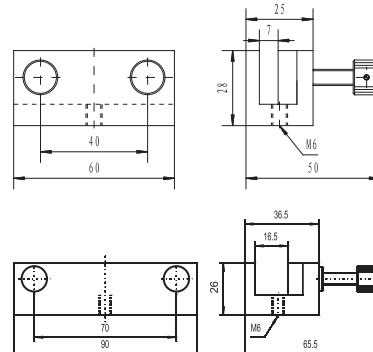


OMPM-2/3



Features:

- Optic Thickness of OMPM-2: 0-6mm
- Optic Thickness of OMPM-3: 0-16mm

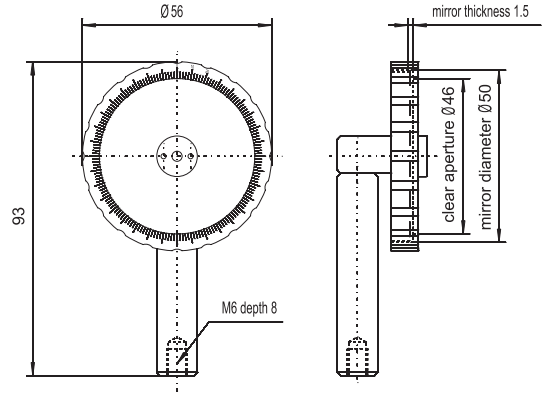


OMMB-NDFC50



Features:

- Equipped with our company Round Variable Filter, Outer Diameter is 12mm, Length is 37mm, Can be fixed by our PH series holders



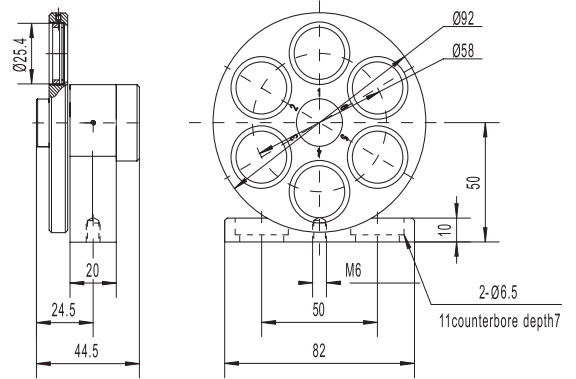
MFW6-25/MFW12-25 Manual Filter Wheel



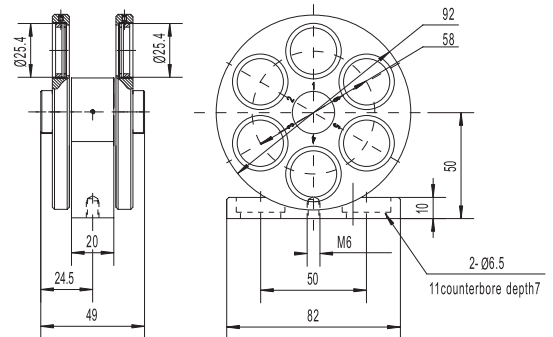
Features:

- Optic Diameter: 25mm/25.4mm ; Thickness: 1-4mm
Clear Aperture: 22mm M6 screw

MFW6-25



MFW12-25

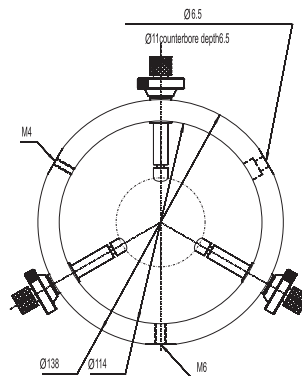


OMLH-1: Lens Holder

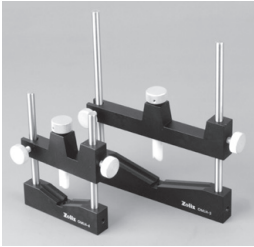


Features:

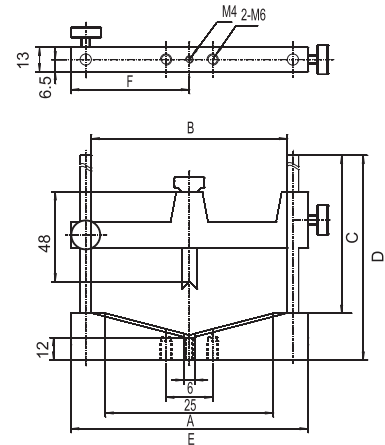
- Optic Diameter: 50-100mm
Weight: 0.4Kg



OMLH-2/3/4 Lens Holder



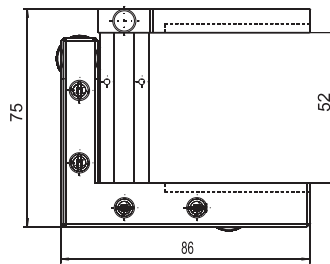
Model	A	B	C	D	E	F	Optic Diameter (mm)	Weight (Kg)
OMLH -2	90	105	126	151	127	63.5	10~100	0.25
OMLH -3	65	80	106	128	102	51	5~75	0.20
OMLH -4	42	54	80	100	76	38	5~50	0.15



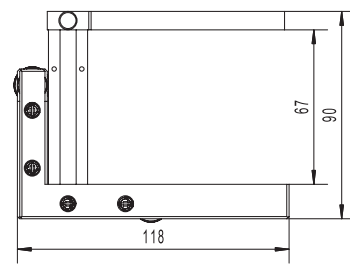
OMLH-Z/OMLH-Z10 Optical Mounts of adjustable cylindrical lens holder



OMLH-Z ▼



OMLH-Z10 ▼



OMLH-Z

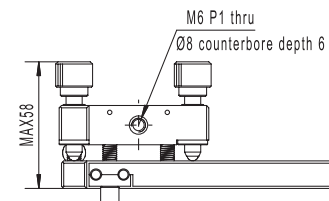
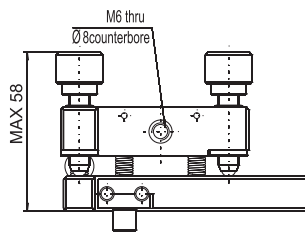
Features:

- Optic Height: 2-54mm;
- Optic Thickness: 1-6mm;

OMLH-Z10

Features:

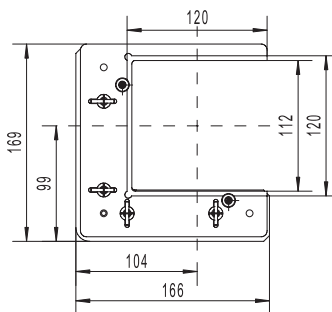
- Optic Height: 2-65mm;
- Optic Thickness: 1-10mm



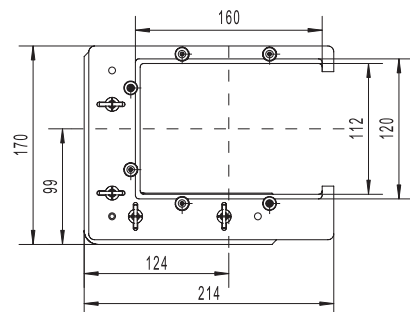
OMLH120/OMLH120-160 Optical Mounts of adjustable square lens holder



OMLH120 ▼



OMLH120-160 ▼



OMLH120

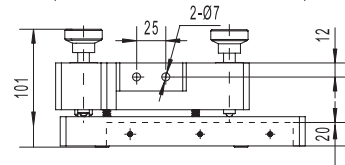
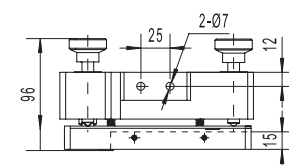
Features:

- Tilt Angle: $\pm 3^\circ$, Optic Thickness : >9mm

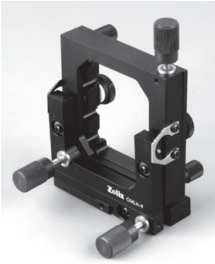
OMLH120-160

Features:

- Tilt Angle: $\pm 3^\circ$, Optic Thickness : >14mm

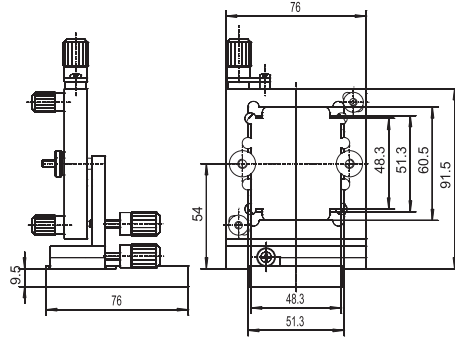


OMLH-9

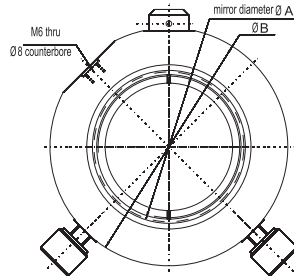
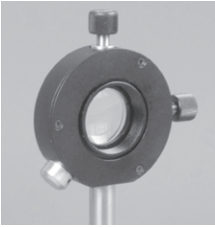


Features:

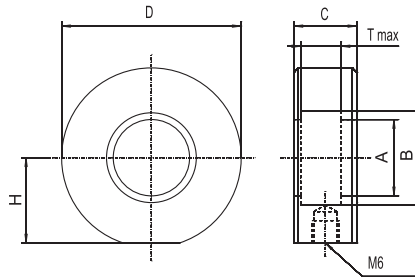
- $\theta y, \theta z: \pm 4^\circ$
- $\theta x: \pm 5^\circ$
- Optic Length: 50~50.8mm
- Optic Width: 60.5mm



OMLM20/25.4/30/40/50/60-XY

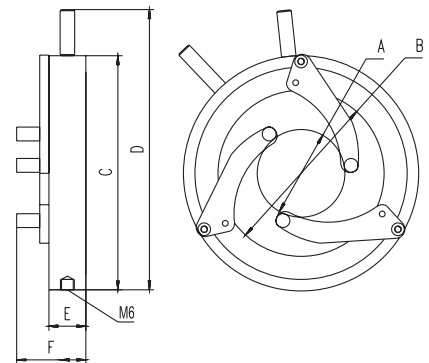


OMLM series Optical Mounts of Lens



Modelx	OMLM20-XY	OMLM25.4-XY	OMLM30-XY	OMLM40-XY	OMLM50-XY	OMLM60-XY
Optic Diameter A (mm)	Φ20	Φ25.4	Φ30	Φ40	Φ50	Φ60
Thickness(mm)	MAX12	MAX14	11	50mm	8mm	0.17kg
Adjustable Range(mm)	Φ2			Φ3		
Pitch(mm)	0.5					
Outer Diameter(mm)B	64	84	94			

OMLS

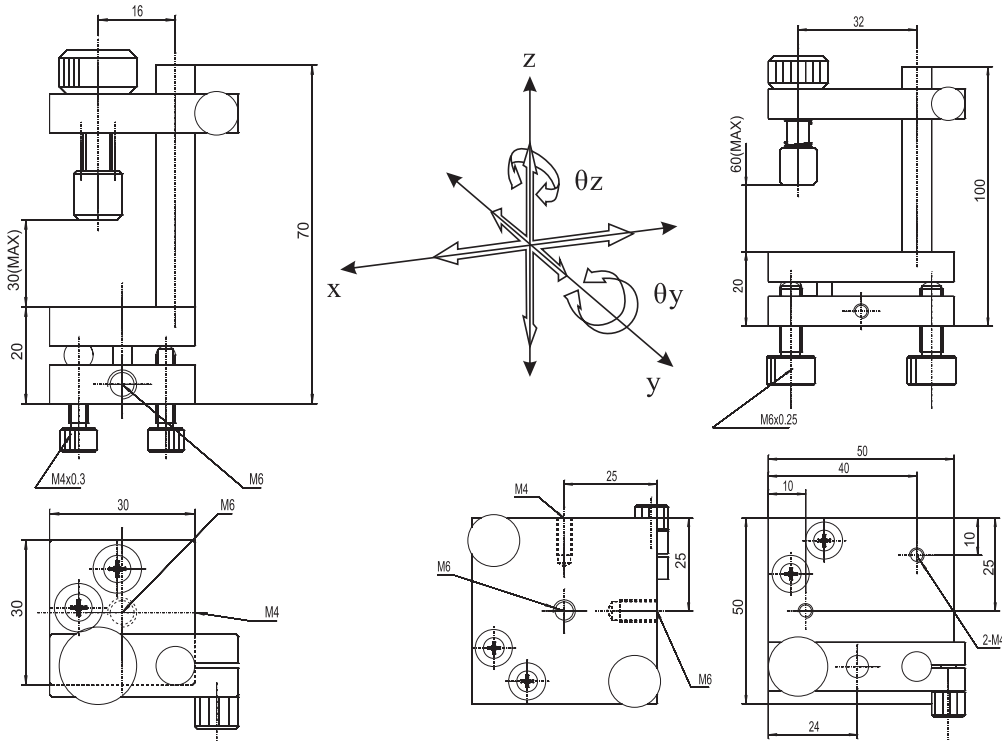


Model	A	B(mm)	C(mm)	D(mm)	E(mm)	F(mm)	Weight (Kg)	
	MAX(mm)	MIN(mm)						
OMLS50 -1	50	5	46	70	90	11	19	0.15
OMLS76 -1	76	5	72	102	126	16	30	0.2
OMLS102 -1	102	5	100	140	160	16	30	0.3

OMPH-1/OMPH-2 Prism Holder



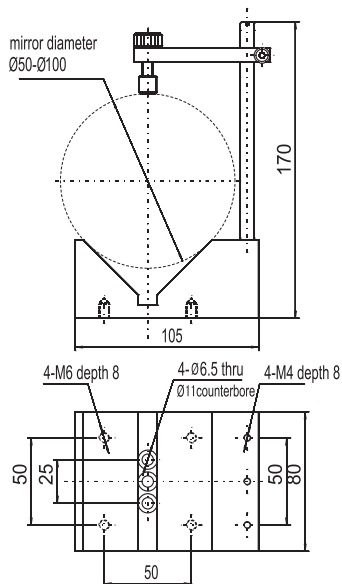
Model	OMPH-1	OMPH-2
Height (mm)	60(max)	30(max)
Table size (mm)	50x50	30x30
Angular Range θ_x, θ_y	$\pm 5^\circ$	$\pm 5^\circ$
Screw	M6X0.25	M4X0.3
Weight (Kg)	0.2	0.18



OMPH-3

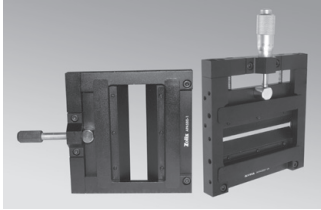


Hold different diameter and thickness cylindrical mirror mounts, the diameter range is 50mm-100mm



AP spatial filter and coupler

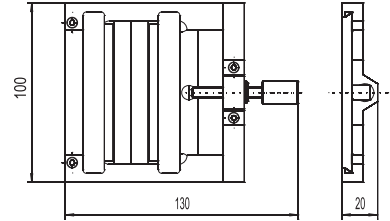
APAS80-1T/APAS80-1A Adjustable Slits



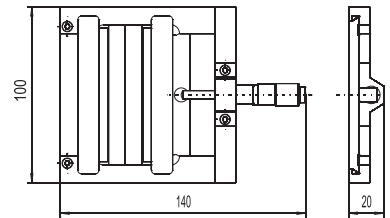
Features:

- Width: 0-14mm
- Length :80mm
- Weight : 0.3Kg

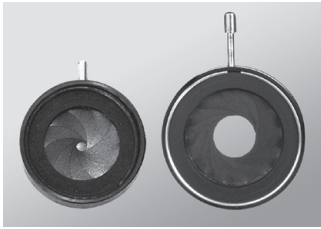
APAS80-1T



APAS80-1A



APID12/22/42-1 Iris Diaphragms



APID12-1

- Aperture range; ϕ 1.2mm- ϕ 12mm, Equipped with holder APID12-GD and PHSP series connect

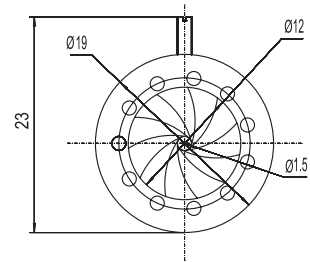
APID22-1

- Aperture range; ϕ 1.5mm- ϕ 22mm, Equipped with holder APID22-GD and PHSP series connect

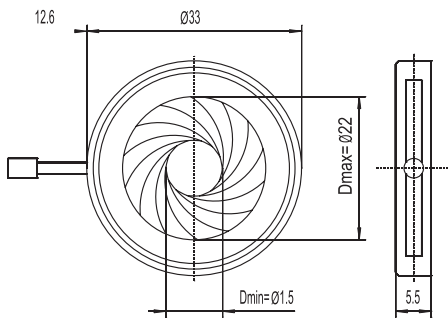
APID42-1

- Aperture range; ϕ 2.5mm- ϕ 42mm

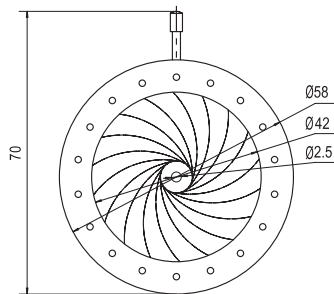
APID12-1



APID22-1



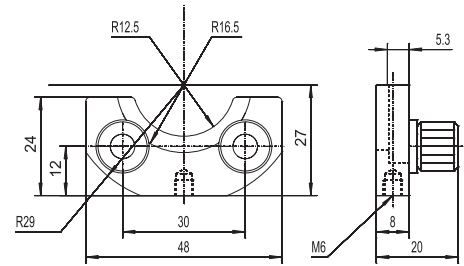
APID42-1



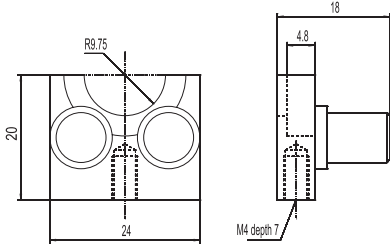
APID12/22/42-GD



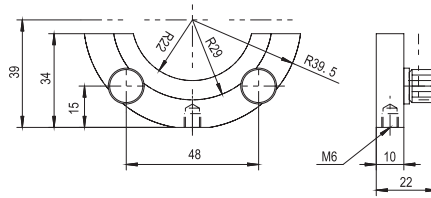
APID22-GD



APID12-GD



APID42-GD



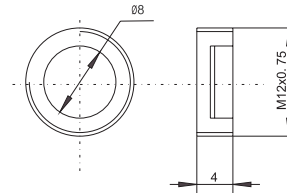
APPH Pinhole Diaphragm

Features:

- Thickness: 0.1mm, outer diameter: 8mm

APPH	3	4	5	10	15	20	25	30	35	40	45	50		
	55	60	65	70	75	80	85	90	95	100	105	110	115	120

APPH-GD Pinhole Diaphragm Holder

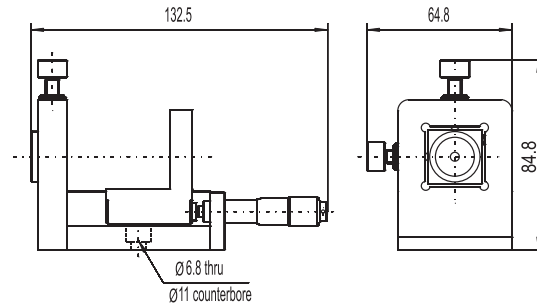


APSF13-1AT Spatial Filtering



Features:

- Objective adjustable range: 13mm
- Accuracy: 0.005mm
- Pinholes adjustable range: ± 1.5
- Weight : 0.4Kg
- Graduation: 0.01mm

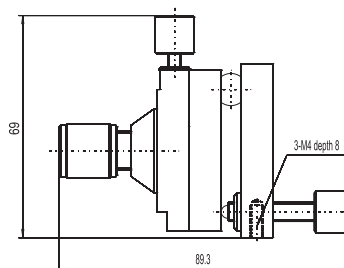


APFC-1T Fiber Coupling



Features:

- Tx: 6mm θy : $\pm 4^\circ$
- Ty: ± 2 mm θz : $\pm 4^\circ$
- Tz: ± 2 mm Weight: 0.2Kg

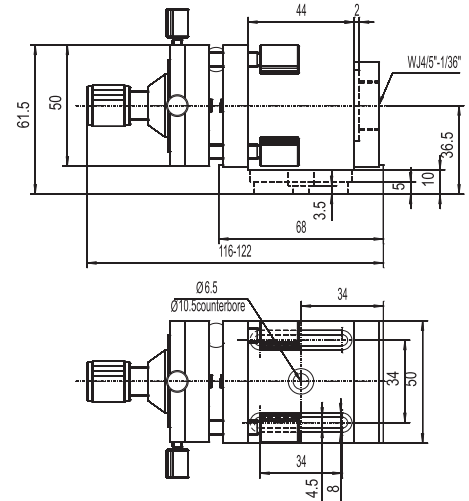


APFC-2T

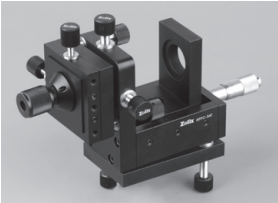


Features:

- Tx: 6mm Ty: ± 2 mm
- Tz: ± 2 mm
- θy : $\pm 4^\circ$ θz : $\pm 4^\circ$
- Weight: 0.4Kg

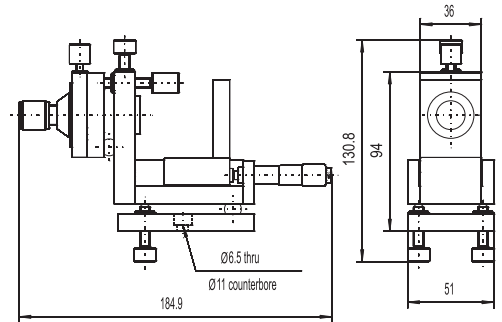


APFC-3AT

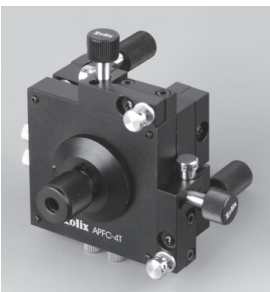


Features:

- Tx: 6mm Ty: ± 2 mm
- Tz: ± 2 mm θy : $\pm 4^\circ$
- θz : $\pm 4^\circ$
- Micro-objective adjustable range: 13mm
- Dual-axis tilt range: $\pm 4^\circ$
- Weight: 0.6Kg

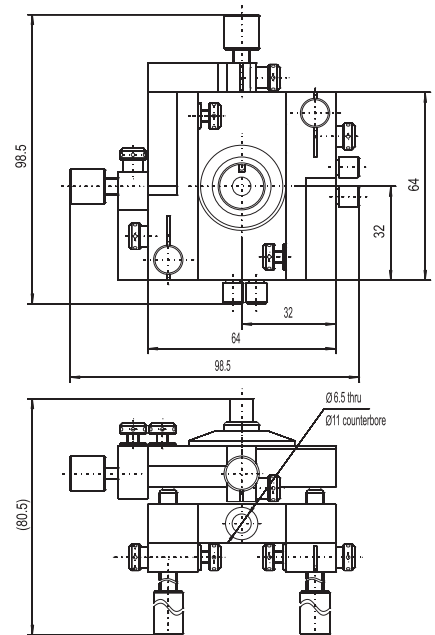


APFC-4T



Features:

- Tx: 6mm Ty: ± 4 mm
- Tz: ± 4 mm θy : $\pm 4^\circ$
- θz : $\pm 4^\circ$



APFC-5T-SC/FC/ST/SMA905

Be connected with different fiber junction plate, SC, FC, SMA95; M6 screw, very



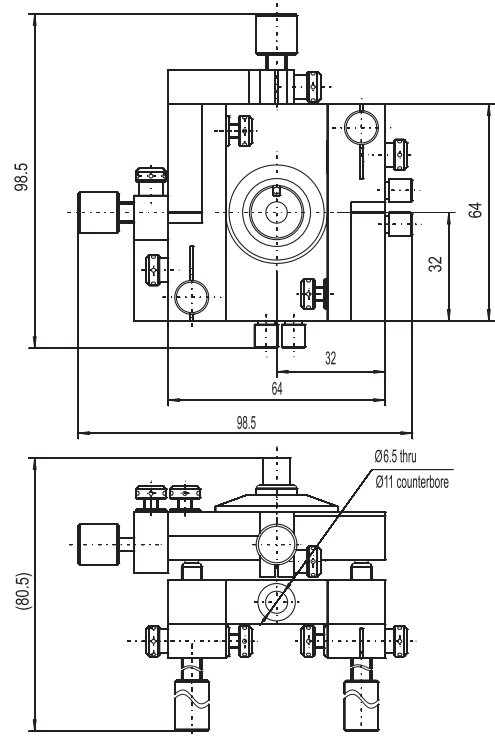
APFC-5T-FC ▲



APFC-5T-SC ▲



APFC-5T-SMA905 ▲



APFC-5T ▲

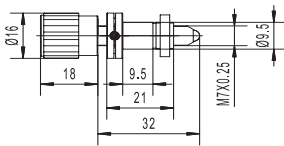
Accessories

ACFS Fine Screw

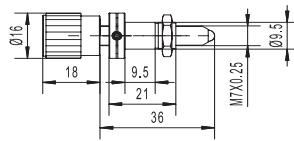


Model	Travel (mm)	A (mm)	B (mm)	C (mm)	Remarks
ACFS06-1	6		20		
ACFS06-2	6		20		
ACFS06-1A	6	10	20	13	
ACFS06-2A	6	10	20	13	
ACFS13-1	13	10	27	13	
ACFS13-2	13	10	27	13	
ACFS13-1S	13	10	27	13	Lockable
ACFS13-2S	13	10	27	13	Lockable
ACFS25-1	25	20	39	10	M6x0.25
ACFS25-1S	25	20	39	10	Lockable
ACFS25-2	25	20	39	10	M6x0.5
ACFS25-2S	25	20	39	10	Lockable
ACFS50-1	50	20	64	10	M6x0.25
ACFS50-2	50	20	64	10	M6x0.5
ACSF-N100-0.35	8.9	18	30	16	Lockable
ACSF-N100-0.5	12.7	18	34	16	Lockable

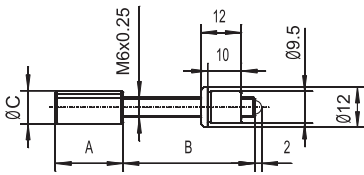
ACFS-N100-0.35 ▼



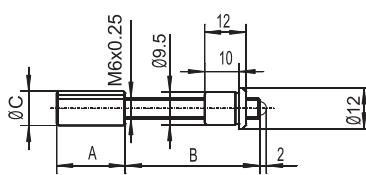
ACFS-N100-0.5 ▼



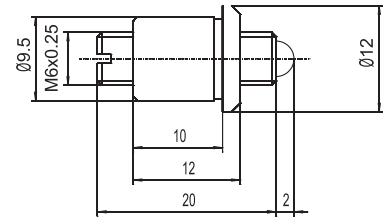
ACFSXX-1 ▼



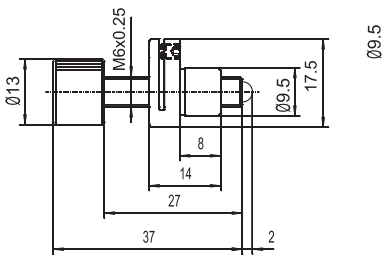
ACFSXX-2 ▼



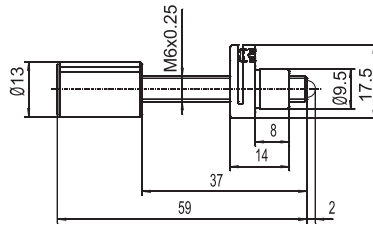
ACFS06-1 ▼



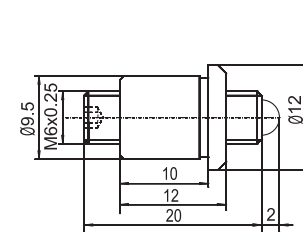
ACFS13-1S ▼



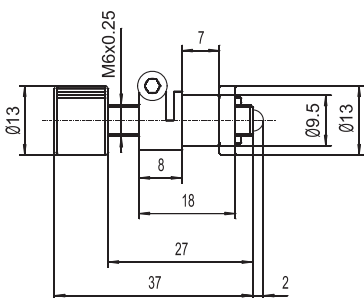
ACFS25-1S ▼



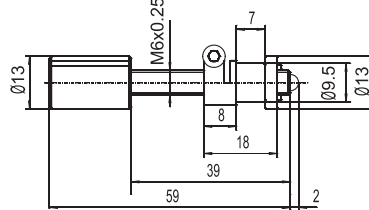
ACFS06-2 ▼



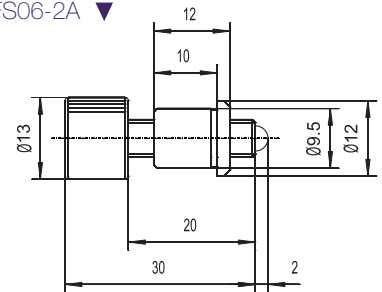
ACFS13-2S ▼



ACFS25-2S ▼



ACFS06-2A ▼



High Stability and High Precision

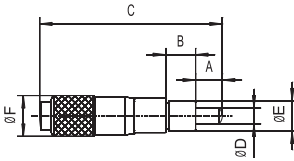
Standard Precision

OM Mounts

AP spatial filter and couplers

Accessories

ACSM Micrometer



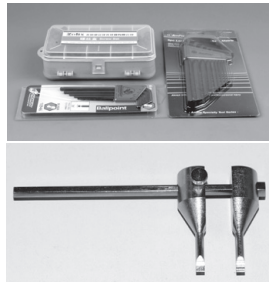
Model	Travel (mm)	A (mm)		B (mm)	C (mm)	D (mm)	E (mm)	F (mm)
		Min	Max					
ACSM06-1	6	5.8	11.8	15.6	49.6	5	9.5	13
ACSM13-1	13	4	17	10	58.5	5	9.5	13
ACSM13-2	13	4	17	10	58.5	5	9.5	13
ACSM25-1	25	4	30	16.5	101	6.5	11	18
ACSM25-1	25	5	29	18	101	6.5	11	18
ACSM25-1A	25	4	29	18	114	6.5	12	20
ACSM25-1A	25	4	29	18	114	6.5	12	20

ACCS Coupling Screw



ACCS-1A	M6-M4 screw with flange adapter
ACCS-1B	M6-M6 screw with flange adapter
ACCS-2A	M4-M4 screw without flange adapter
ACCS-2B	M6-M6 screw without flange adapter
ACCS-3	M6-M4 screw without flange adapter
ACCS-6-6.35	M6-M6.35 screw with flange adapter

Kits and Accessories



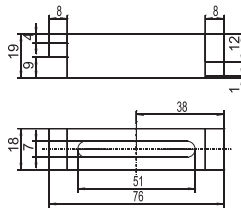
ACCA/ACCF Clamps



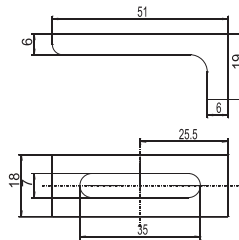
ACCA/ACCF fix, lock kinds of mounts on the optical tables;

ACOA series Accessories of Optics

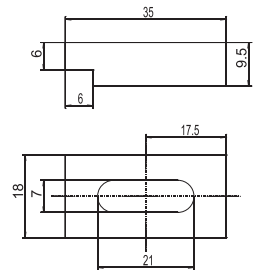
ACCF-1 ▼



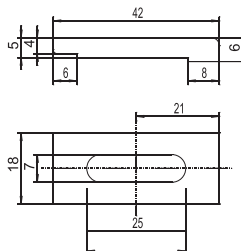
ACCF-2 ▼



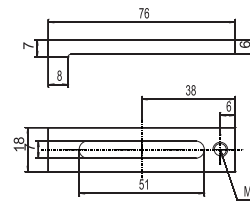
ACCF-3 ▼



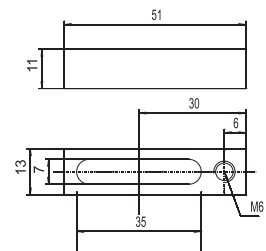
ACCF-4 ▼



ACCA-1 ▼

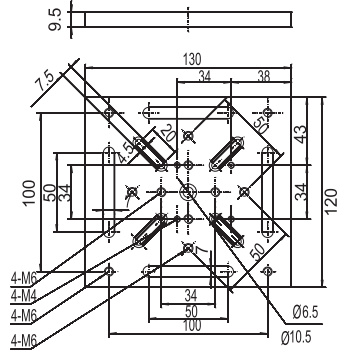
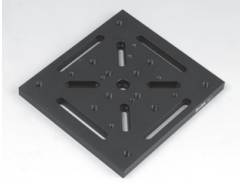


ACCA-2 ▼

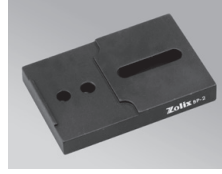


BP Base Plate

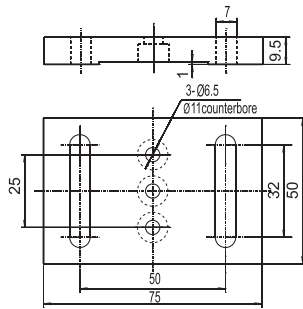
BP-1 ▼



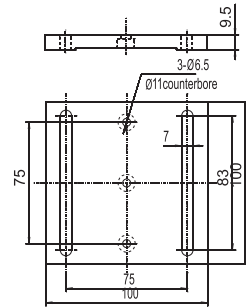
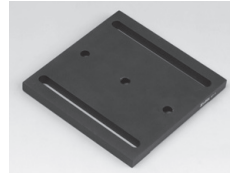
BP-2 ▼



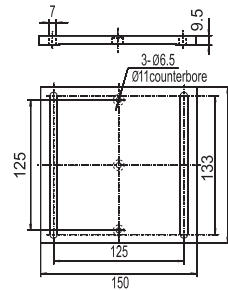
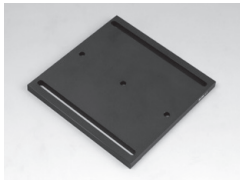
BP-3 ▼



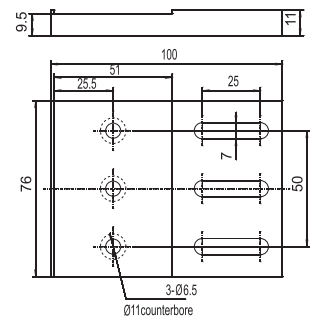
BP-4 ▼



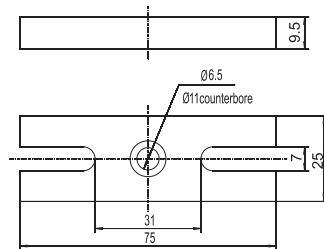
BP-5 ▼



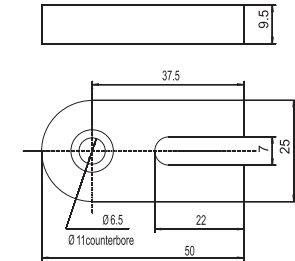
BP-6 ▼



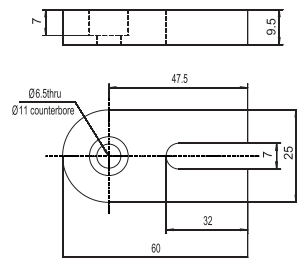
BP-7 ▼



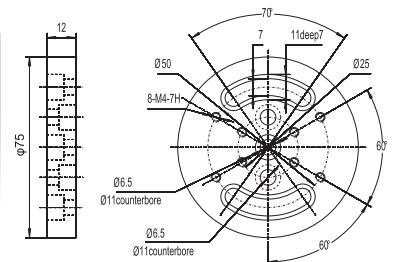
BP-8 ▼



BP-8A ▼



BP-9 ▼



High Stability and High Precision

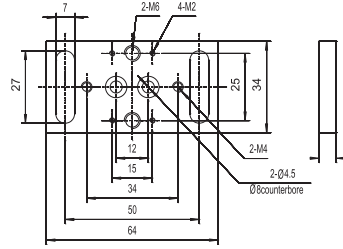
Standard Precision

OM Mounts

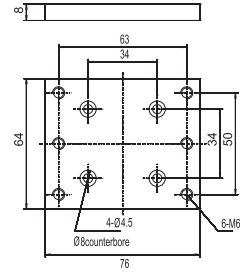
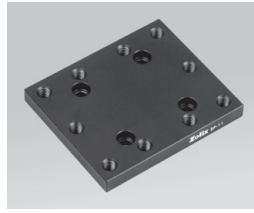
AP spatial filter and couplers

Accessories

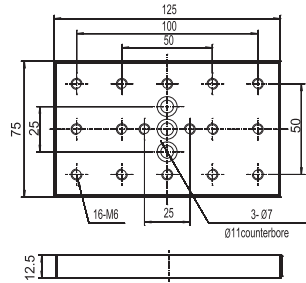
BP-10 ▼



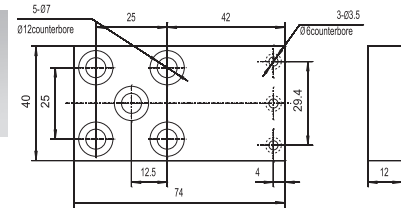
BP-11 ▼



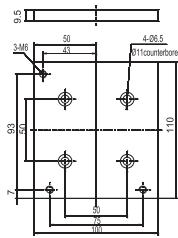
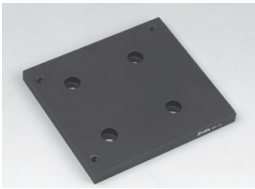
BP-12 ▼



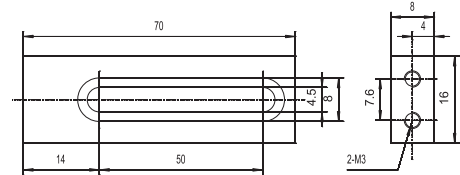
BP-13 ▼



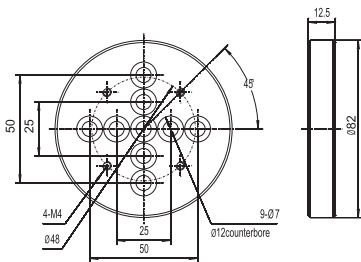
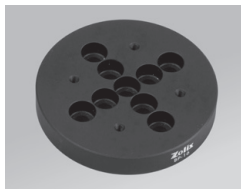
BP-14 ▼



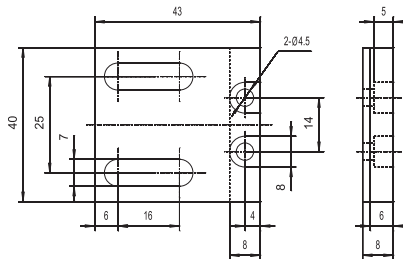
BP-15 ▼



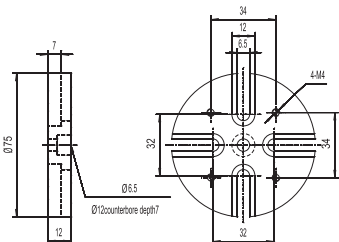
BP-16 ▼



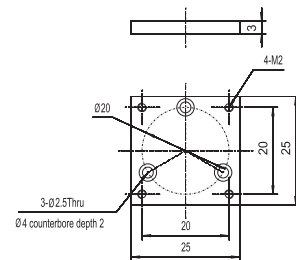
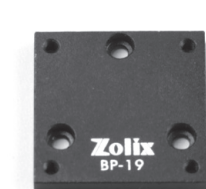
BP-17 ▼



BP-18 ▼



BP-19 ▼



High Stability and High Precision

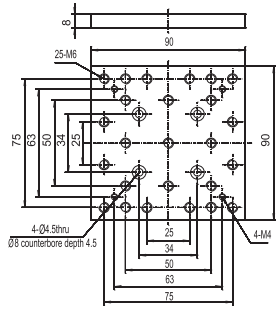
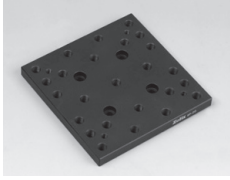
Standard Precision

OM Mounts

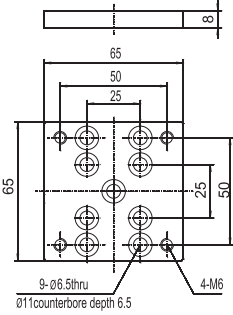
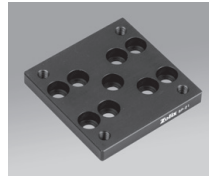
AP spatial filter and couplers

Accessories

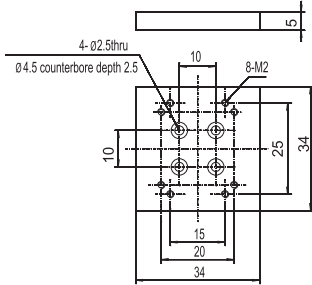
BP-20 ▼



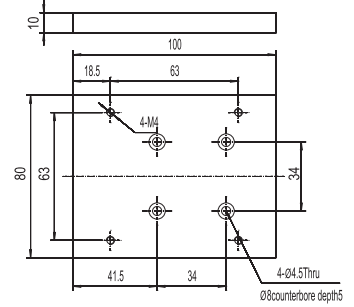
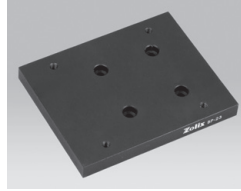
BP-21 ▼



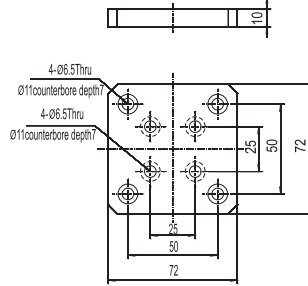
BP-22 ▼



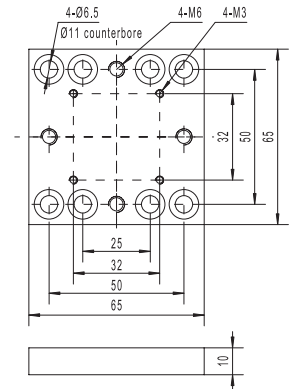
BP-23 ▼



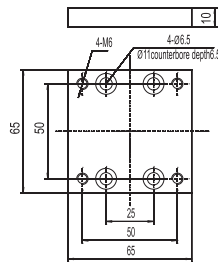
BP-24 ▼



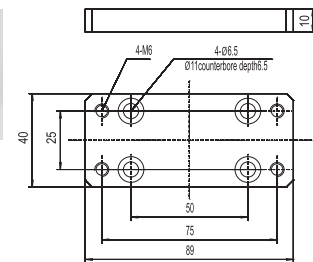
BP-25 ▼



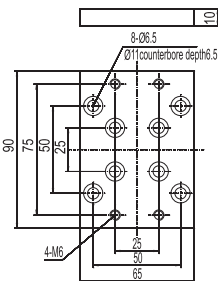
BP-26 ▼



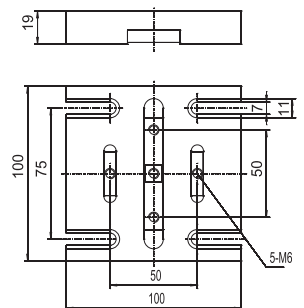
BP-27 ▼



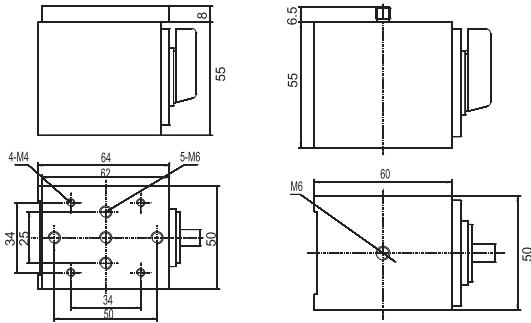
BP-28 ▼



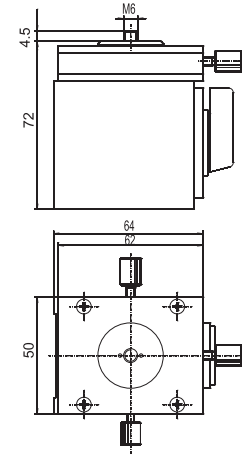
BPRB-1 ▼



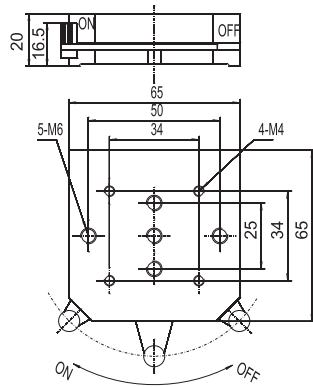
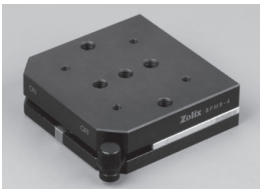
BPMB-1/BPMB-2 ▼



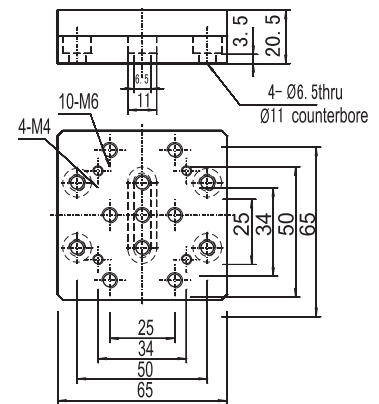
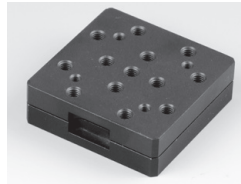
BPMB-3 ▼



BPMB-4 ▼



BPKB-2 ▼

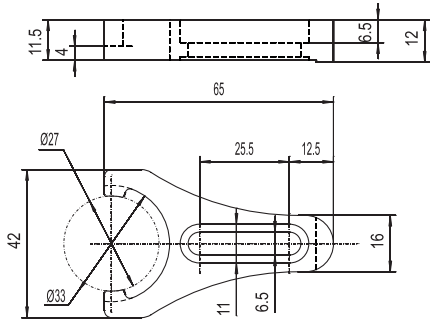


PP Post

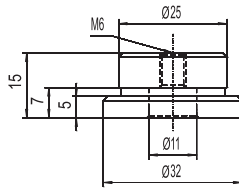


Models	Remarks
PPF25	stainless steel clamping fork
PPB15	15mm Base
PPE25	25mm Post
PPE50	50mm Post
PPE75	75mm Post
PPE90	90mm Post
PPE100	100mm Post
PPS1	1mm Gasket
PPS2	2mm Gasket
PPS5	5mm Gasket
PPCC25	Rod Clamp Verticaler
PPC2512	25-12 Orthogonal Post Holders

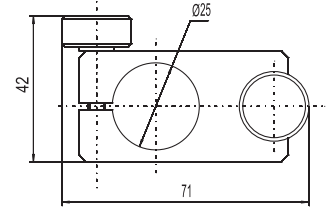
PPF25 ▼



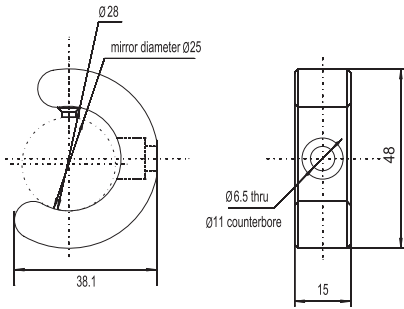
PPB15 ▼



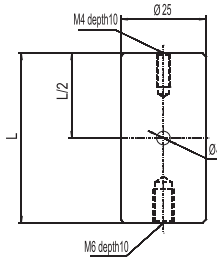
PPC2512 ▼



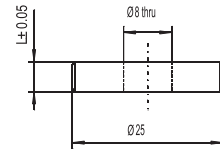
PPCC25 ▼



PPE ▼



PPS ▼



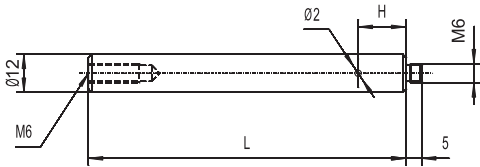
PHSP Post

Diameter 12mm

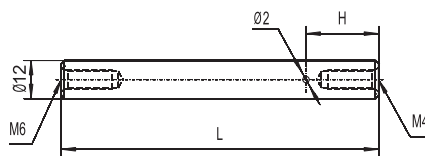


Models	PHSP12-1	PHSP12-2	PHSP12-3	PHSP12-4	PHSP12-5	PHSP12-6	PHSP12-7
Models	PHSP12-1A	PHSP12-2A	PHSP12-3A	PHSP12-4A	PHSP12-5A	PHSP12-6A	PHSP12-7A
Models	PHSP12-1B	PHSP12-2B	PHSP12-3B	PHSP12-4B	PHSP12-5B	PHSP12-6B	PHSP12-7B
Models	PHSP12-1C	PHSP12-2C	PHSP12-3C	PHSP12-4C	PHSP12-5C	PHSP12-6C	PHSP12-7C
L	25	50	75	100	150	200	300
Weight(Kg)	0.025	0.05	0.075	0.1	0.015	0.2	0.3

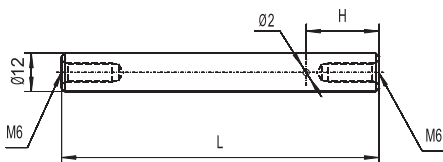
PHSP12-x ▼



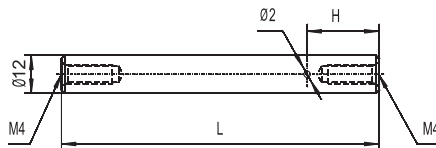
PHSP12-xB ▼



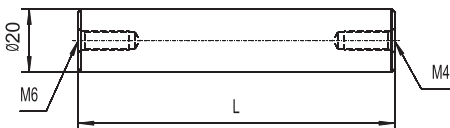
PHSP12-xA ▼



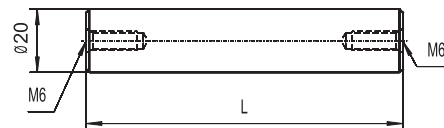
PHSP12-xC ▼



PHSP20-x ▼



PHSP20-xA ▼



High Stability and High Precision

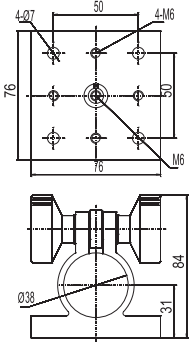
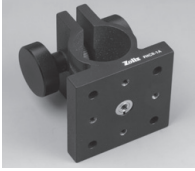
Standard Precision

OM Mounts

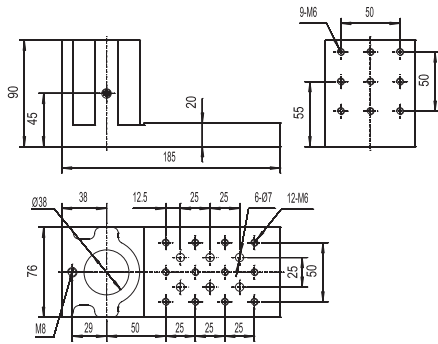
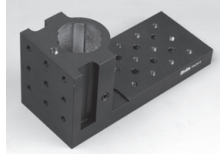
AP spatial filter and couplers

Accessories

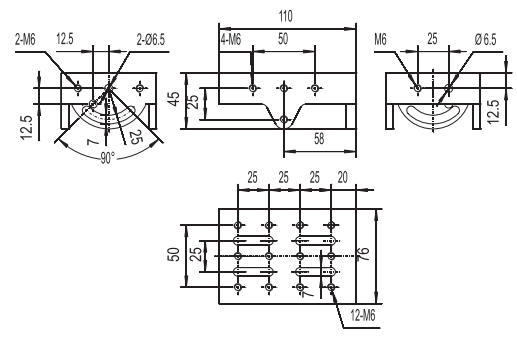
PHCR-1A Clamp Rod



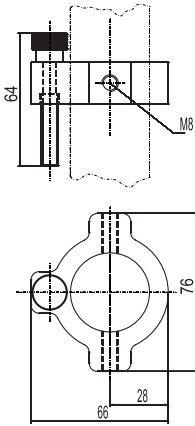
PHCR-2 Clamp Rod



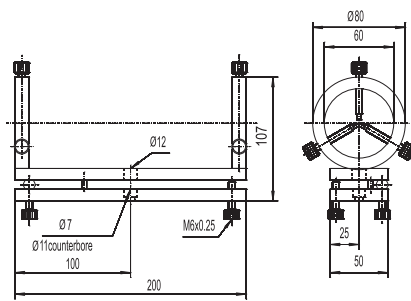
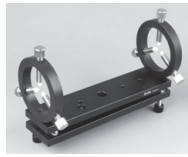
PHCR-3 Clamp Rod



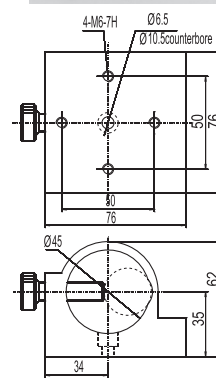
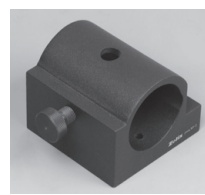
PHCRT-1 Clamp Rod



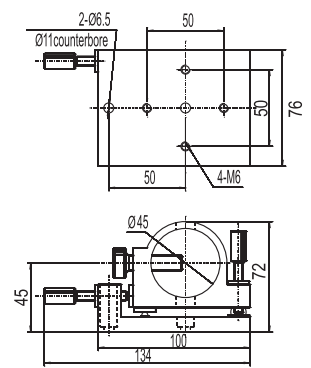
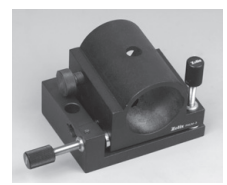
PHLM-1 Laser Mount



PHLM-2 Laser Mount

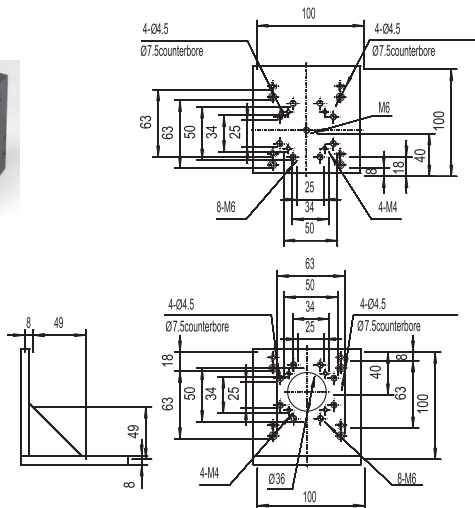


PHLM-3 Laser Mount

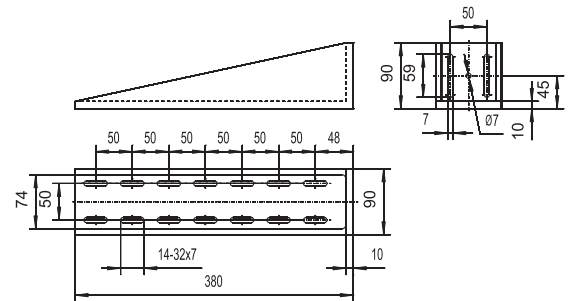


PHOB Brackets

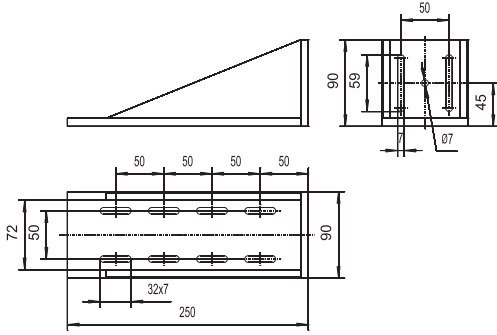
PHOB-1 ▾



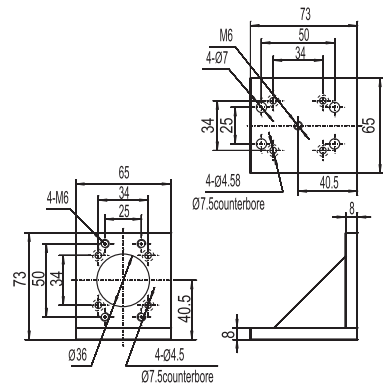
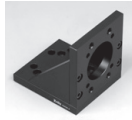
PHOB-2 ▾



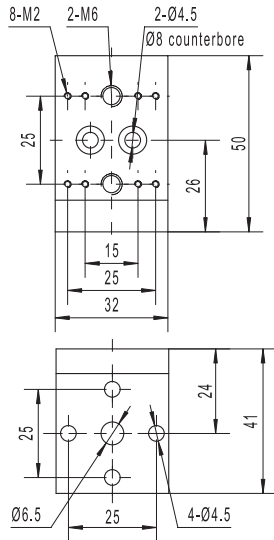
PHOB-3 ▼



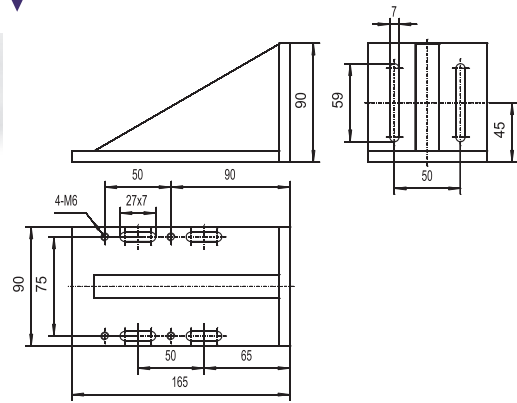
PHOB-4 ▼



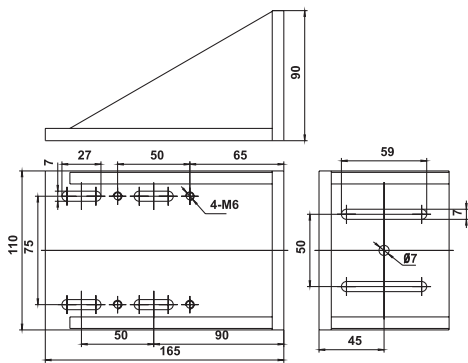
PHOB-5 ▼



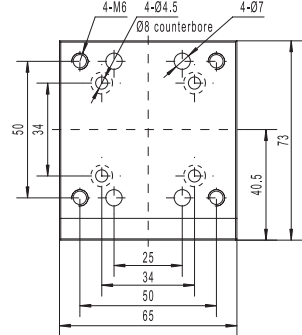
PHOB-6 ▼



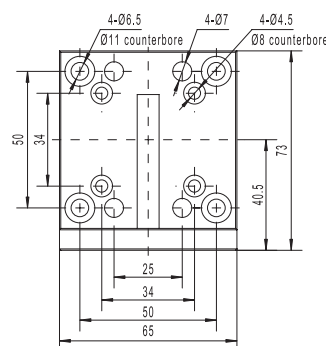
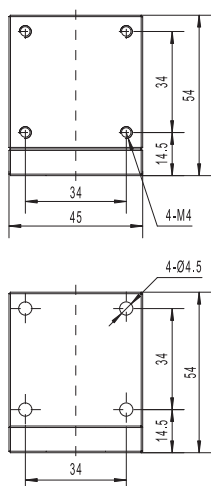
PHOB-7 ▼



PHOB-8 ▼



PHOB-9 ▼



High Stability and High Precision

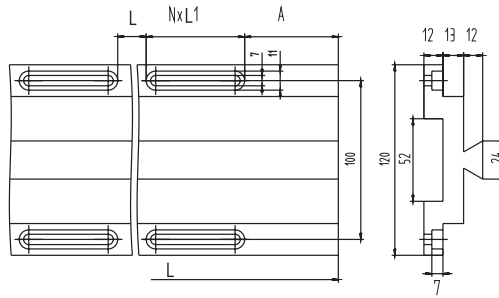
Standard Precision

OM Mounts

AP spatial filter and couplers

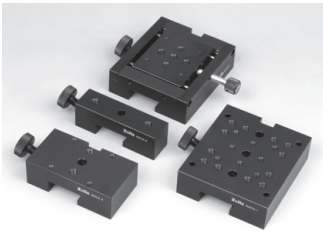
Accessories

RAOB Rails

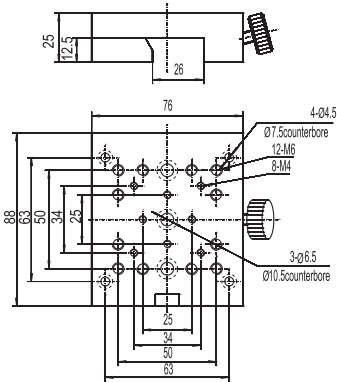


Model	RAOB02-1	RAOB03-1	RAOB04-1	RAOB05-1	RAOB10-1	RAOB15-1	RAOB20-1
L(mm)	200	300	400	500	1000	1500	2000
A(Mm)	50	80	150	200			
B (mm)	100	140	240	170	280	335	460
N	1	2	3	4			
Weight (Kg)	1.15	1.73	2.3	2.85	5.75	8.65	11.5

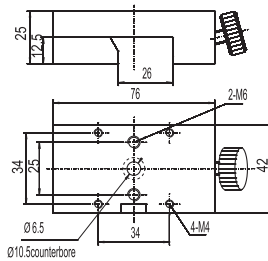
RACA Carriers



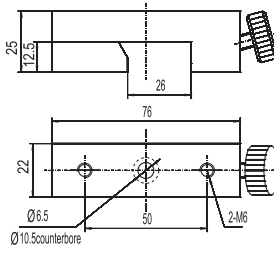
RACA-1 ▼



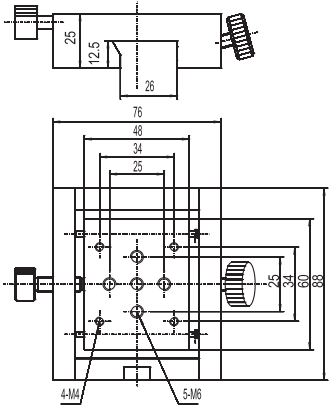
RACA-2 ▼



RACA-3 ▼



RACA-4 ▼

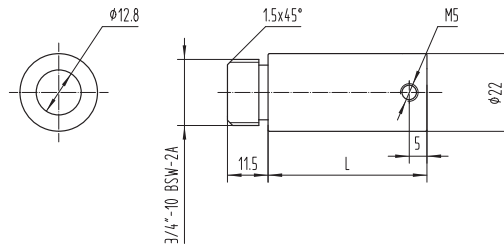


PE Series (Post,Holder,Base)

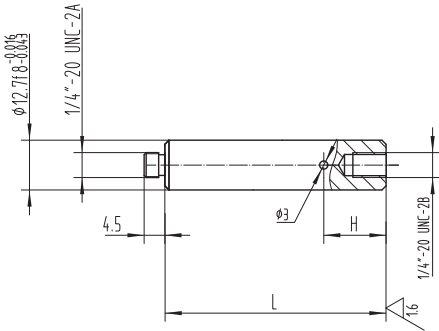


Model	Length(mm)
PEP12.7-50	50mm
PEP12.7-76	76mm
PEP12.7-102	102mm
PEP12.7-50B	50mm
PEP12.7-76B	76mm
PEP12.7-102B	102mm
PEH12.7-50	50mm
PEH12.7-76	76mm
PEH12.7-102	102mm
PEB75	75x50
PEB100	100x75

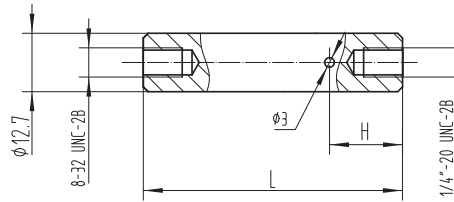
PEH12.7 ▼



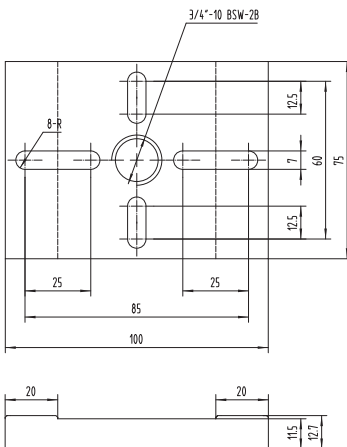
PEP12.7 ▼



PEP12.7-B ▼



PEB100-1 ▼



PEB75-1 ▼

