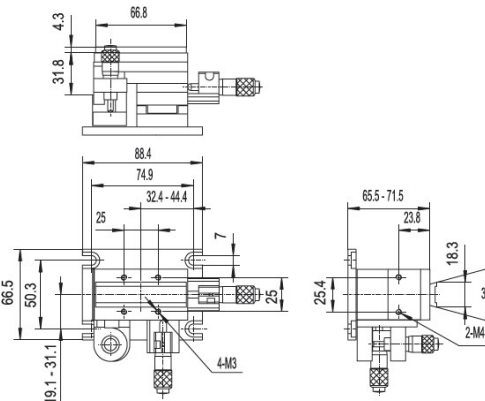
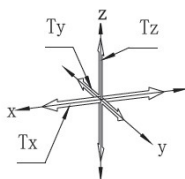
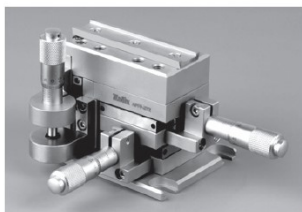


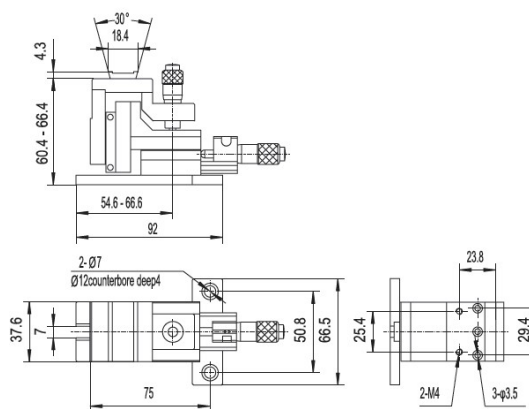
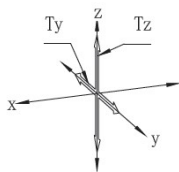
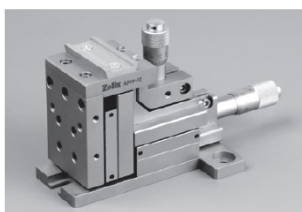
APFP-XYZ



Features:

- Tx: 12mm Ty: 12mm Tz: 6mm
- Load: 2.3kg Height of Center: 79mm

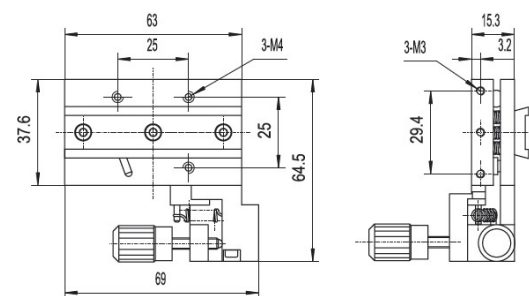
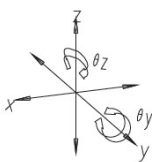
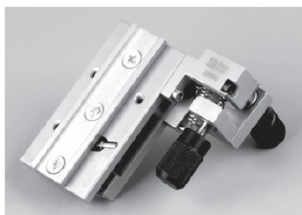
APFP-YZ



Features:

- Ty: 12mm Tz: 6mm
- Load Capacity : 2.3kg
- Height of Center : 79mm

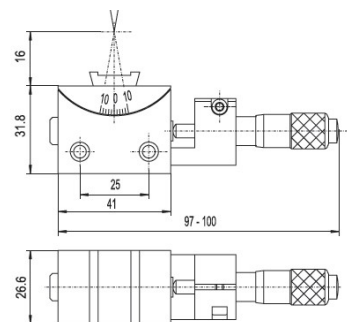
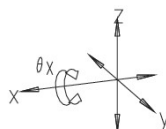
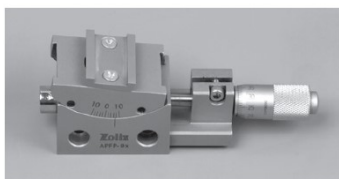
APFP-T



Features:

- θ_x : $\pm 7^\circ$

APFP- θ_x



Features:

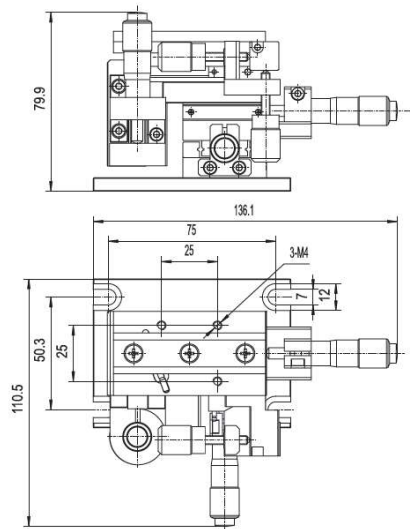
- θ_x : $\pm 7^\circ$

APFP-XYZT/XYZTL

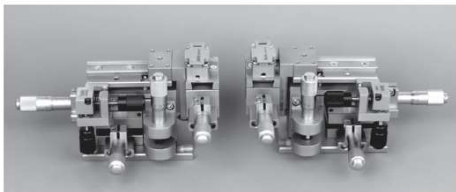


Features:

- $\theta_y: \pm 3^\circ$; $\theta_z: \pm 3^\circ$
- Tx: 12mm Ty: 12mm Tz: 6mm

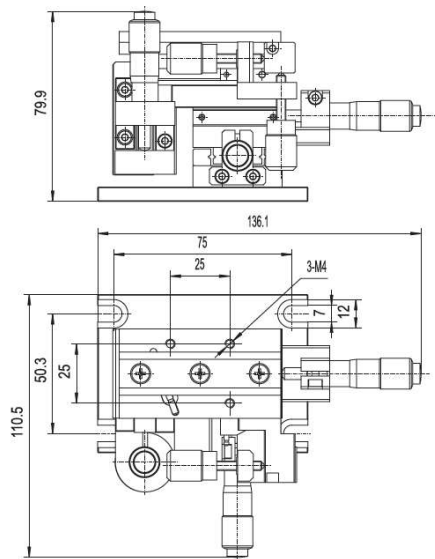


APFP-XYZT θ /XYZT θ L

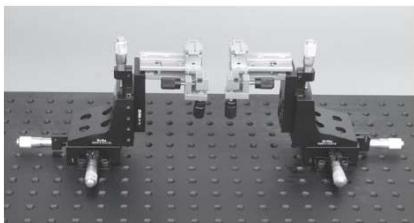


Features:

- $\theta_x: \pm 7^\circ$; $\theta_y: \pm 3^\circ$; $\theta_z: \pm 3^\circ$
- Tx: 12mm Ty: 12mm Tz: 6mm

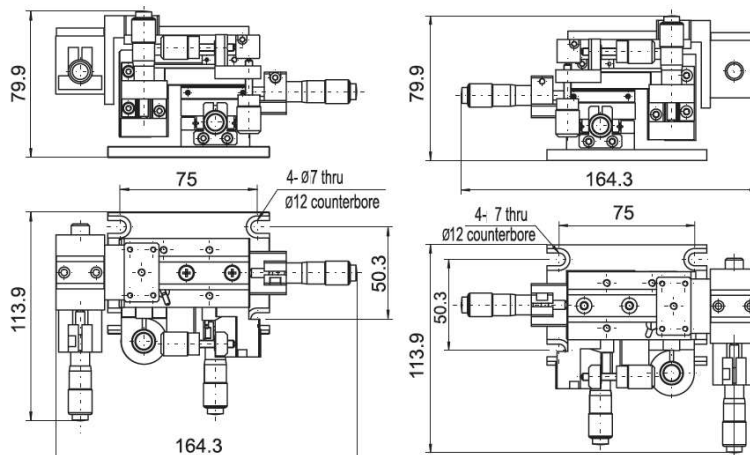


FP-XYZT/XYZTL



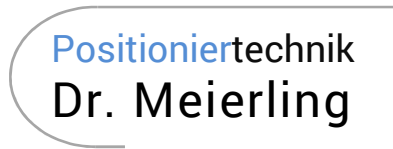
Features:

- $\theta_y: \pm 3^\circ$; $\theta_z: \pm 3^\circ$
- Tx: 13mm; Ty: 13mm; Tz: 13mm
- Graduation: 0.01mm

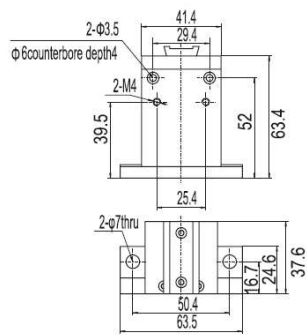


Produktinformation

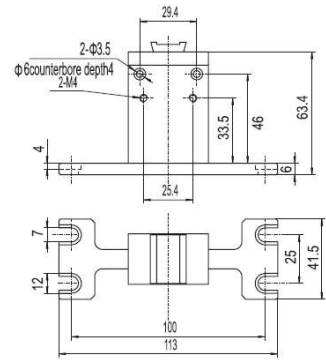
Hochpräzise Faserjustierung Serie APFP



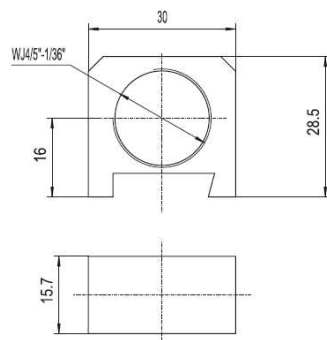
APFP-US



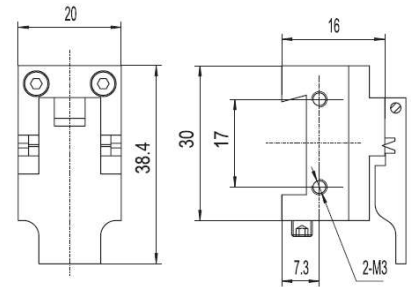
APFP-TS



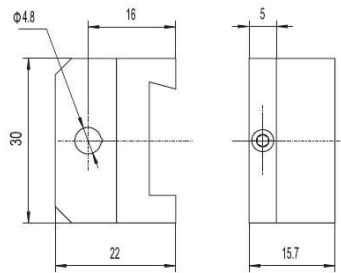
APFP-OM



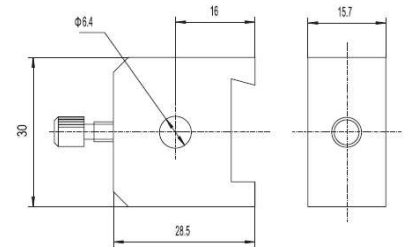
APFP-FH



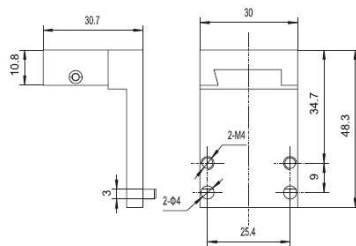
APFP-GH



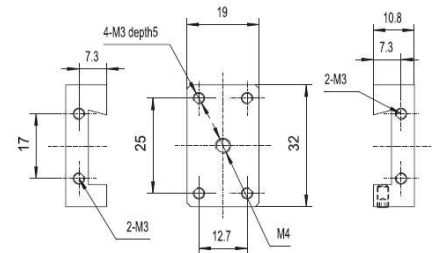
APFP-FC



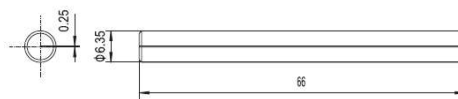
APFP-GB



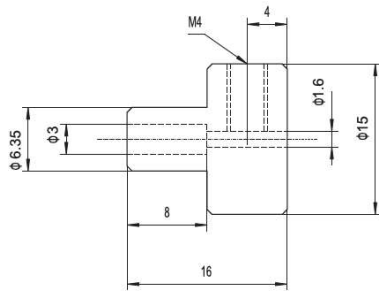
APFP-UM



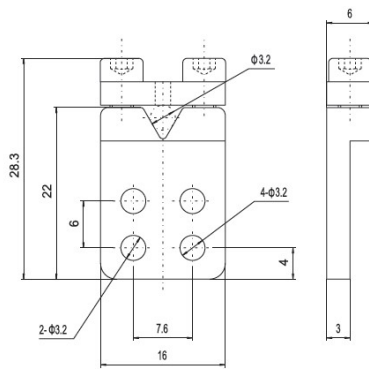
APFPCH-1



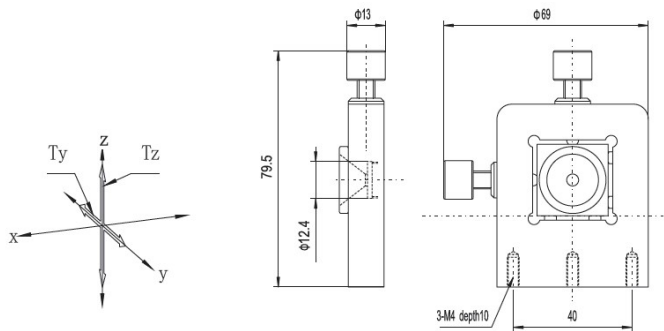
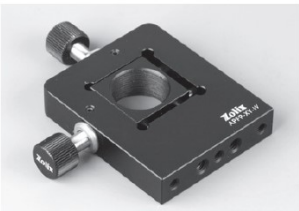
APFPCH-2



APFPCH-3



APFP-XY



APFP-W-XY

