

Produktinformation

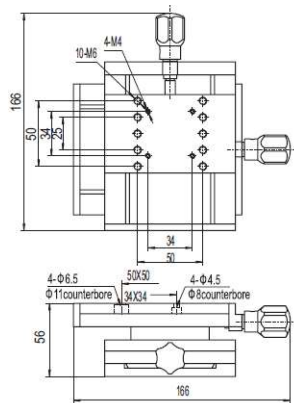
Kombinationen Serie ASM

Positioniertechnik
Dr. Meierling



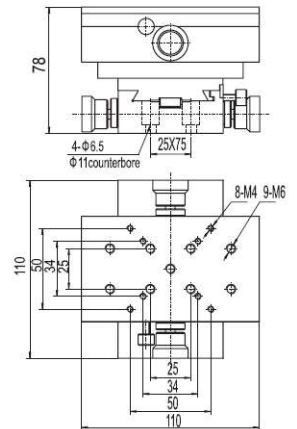
ASM50-XY

- Travel : Tx, Ty: 50mm



ASM75-XY

- Travel : Tx, Ty: 75mm



ASM13-XYZ-2(2A)

- Travel : Tx, Ty, Tz: 13mm



ASM-XYZ-2A

- Travel : Tx, Ty: 25mm Tz: 5mm



ASM-XY θ -1A

- Travel : Tx, Ty: 25mm
- θ z: 360°



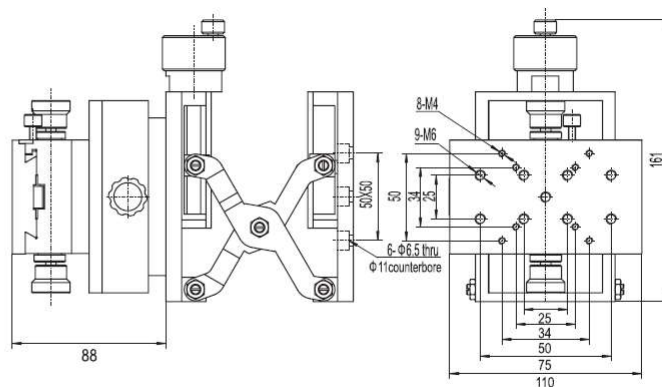
ASM-XYZ θ T-1A

- Travel : Tx, Ty: 25mm; Tz: 5mm
- θ z: 360° θ x, θ y: ± 5°



ASM75XY-V60

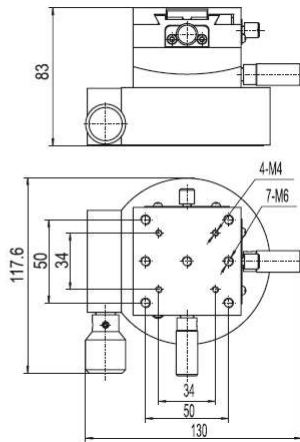
- Travel : Tx, Ty: 75mm Tz: 60mm





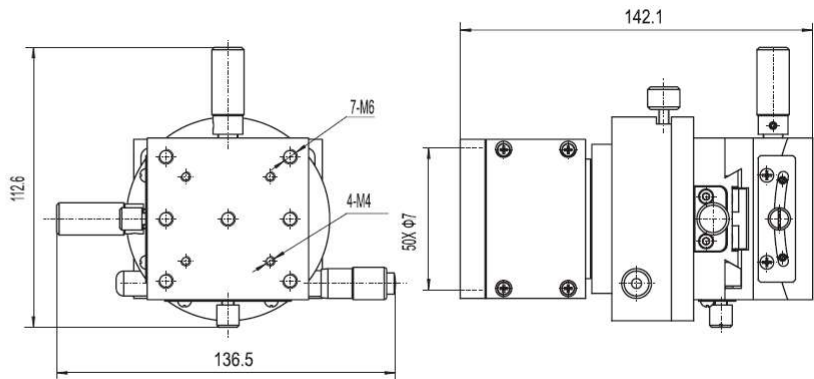
ASM-RG2

- $\theta z: 360^\circ$ $\theta x, \theta y: \pm 10^\circ$



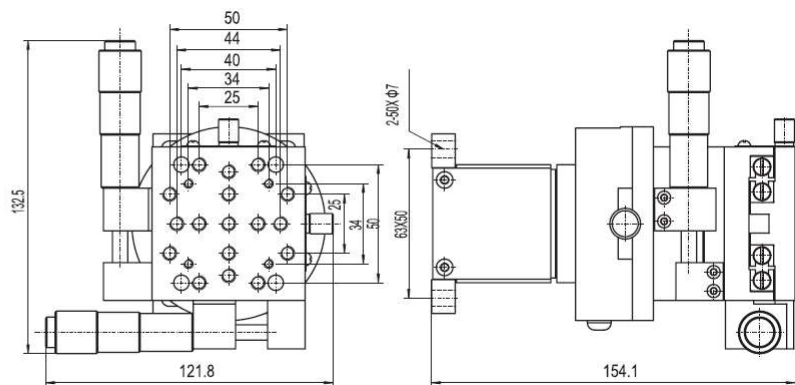
ASM-VRG2

- Travel : Tz:5mm
- $\theta x, \theta y: \pm 10^\circ$ $\theta z: 360^\circ$



ASM25XY-RV

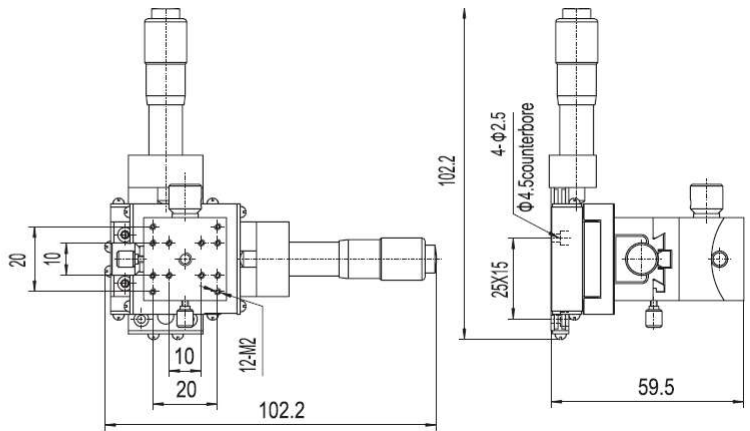
- Travel : Tx, Ty: 25mm Tz: 5mm
- $\theta z: 360^\circ$





ASM13XY-G2

- Travel : Tx,Ty:13mm
- $\theta x, \theta y: 30^\circ$



ASMV5-TR

- Travel : Tz:5mm
- $\theta x, \theta y: \pm 5^\circ$

